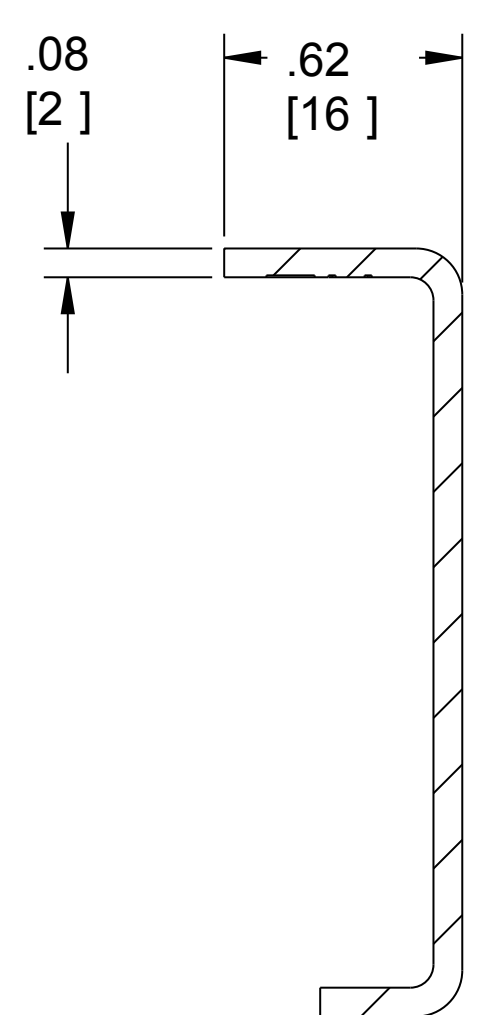
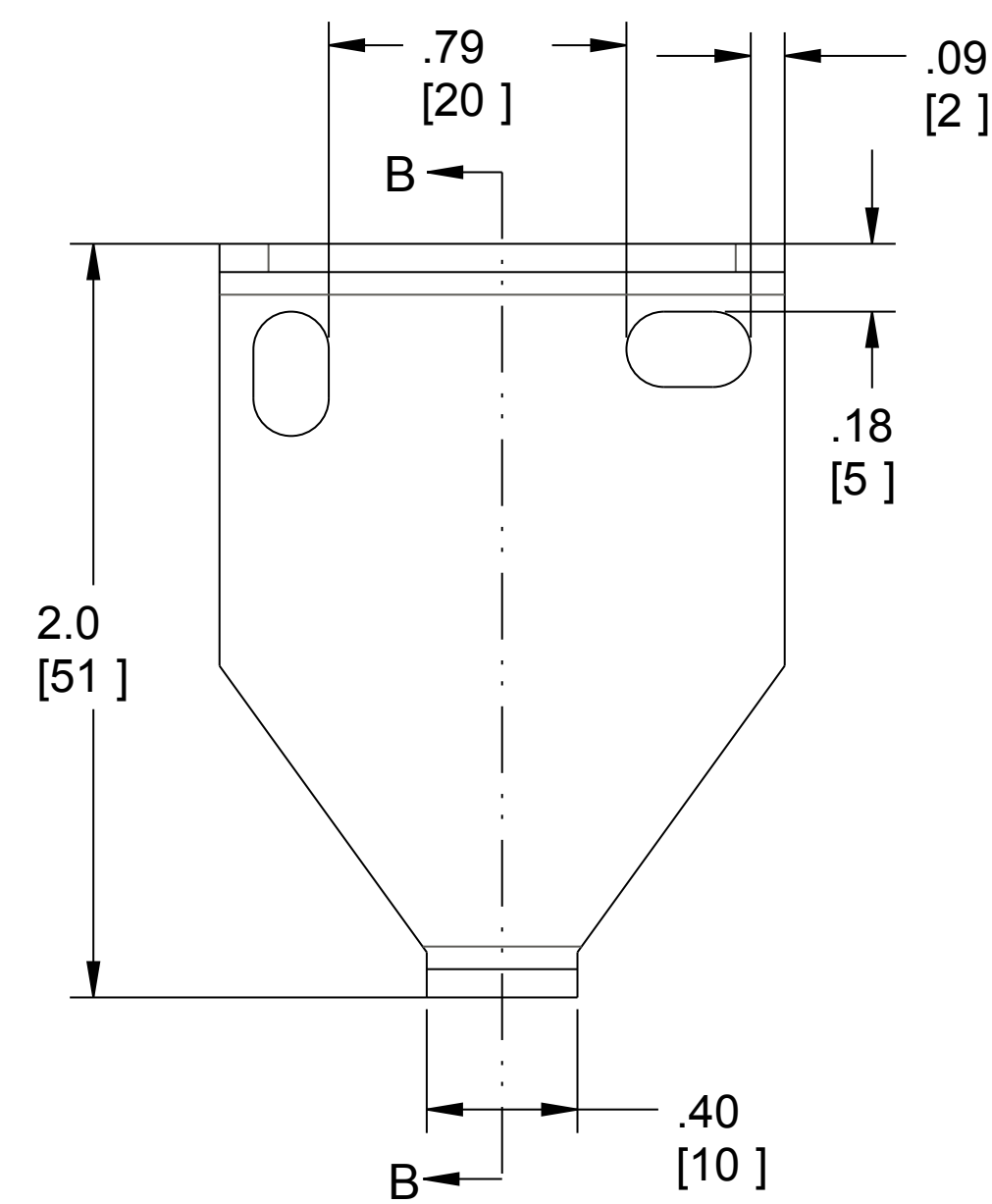
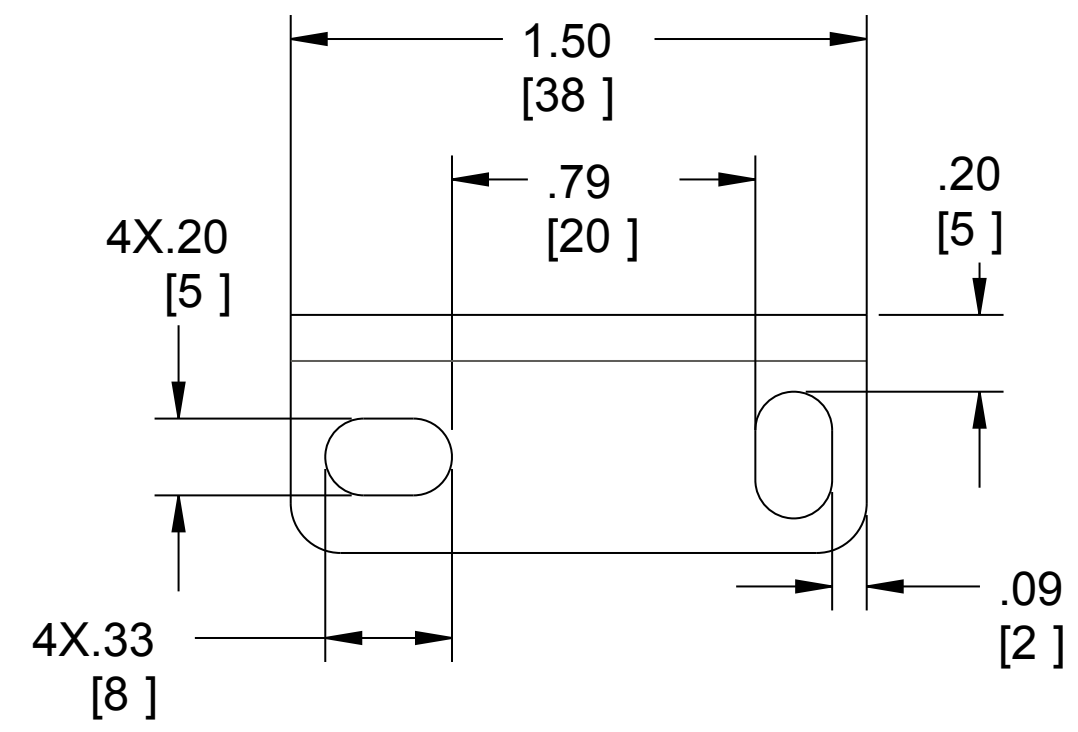
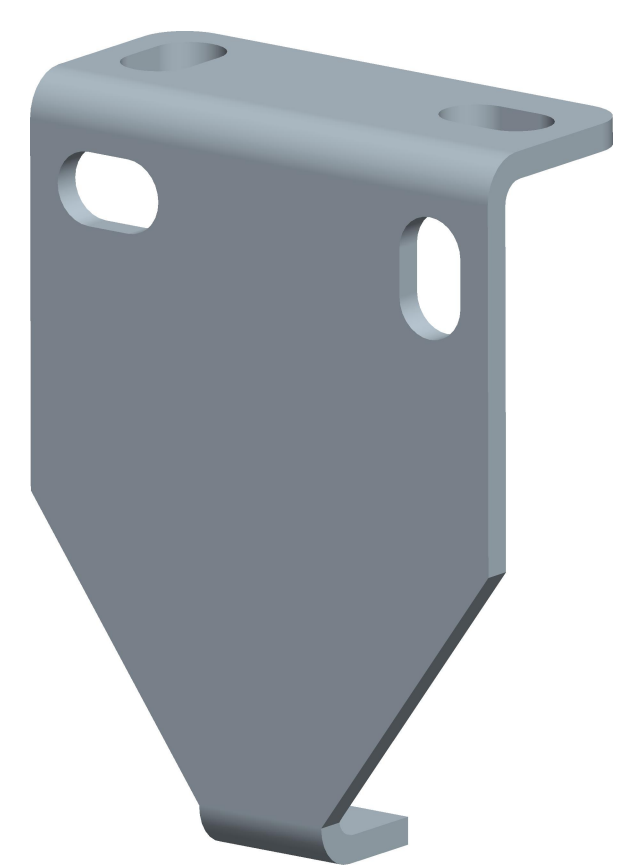
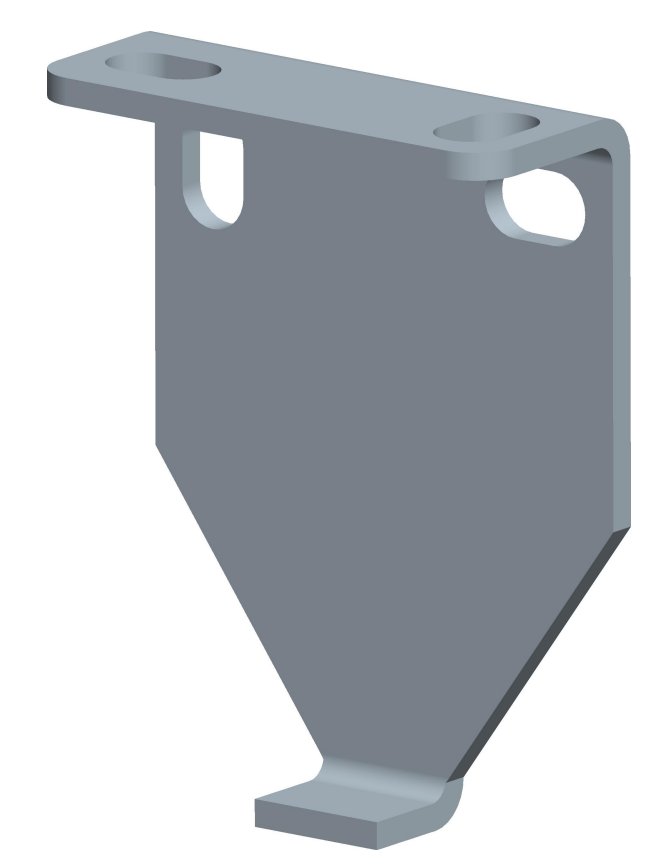
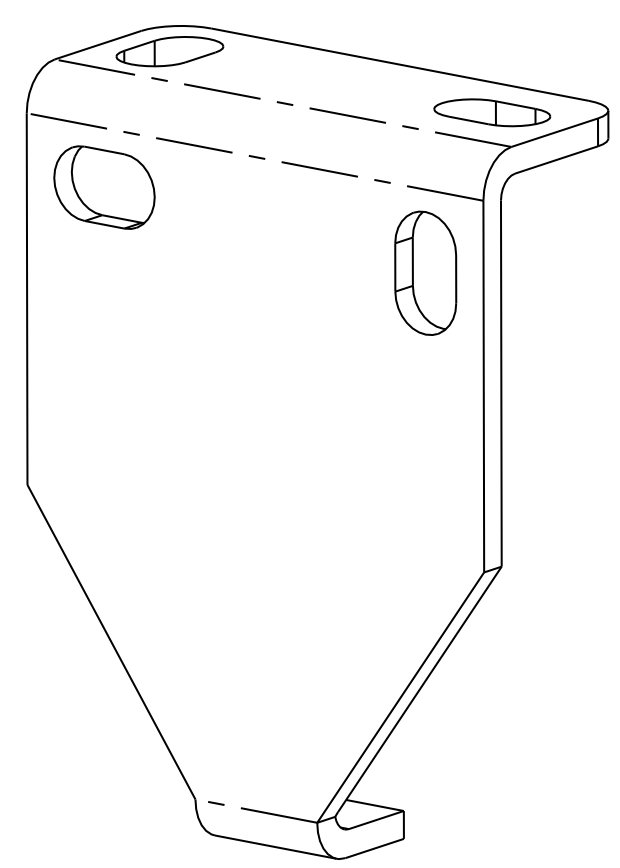
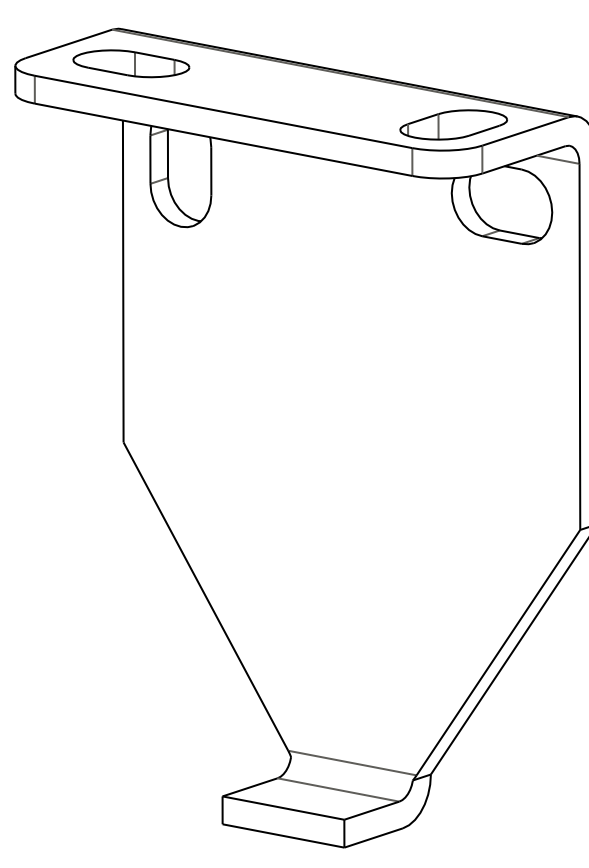


REVISION RECORD				
SYM	DESCRIPTION	BY	DATE	CHK
E	CUSTOMER INSPECTION DRAWING	JSG	15NOV11	



SECTION B-B



SR NO	SBT ITEM NO	CLUTCHS	MAX ROLL DIA	ROLLEASE TUBES
1	RB380XX	R3CXX R8CXX	DIA 3.65 INCH OR DIA 92 MM	RTEA1TXX RTEA2TXX RTEA3TXX RTEA4TXX

THIS INFORMATION IS CONFIDENTIAL AND PROPRIETARY TO ROLLEASE, INC. THE PROCESSOR AGREES TO MAINTAIN THIS INFORMATION AS CONFIDENTIAL, NOT REPRODUCING OR REVEALING IT IN WHOLE OR IN PART TO ANY THIRD PARTY.

INCHES	RollEase <i>Window Covering Systems</i>		
TOLERANCES	X.XX = ±0.015 X.XXX = ±0.005 ANG = ±1°	DRAWN BY VRP	DATE 11JUL11
DATE 11JUL11	SCALE D 2:1	TITLE RB380 BRACKET R3-R8 2 INCH	REV E.7 E