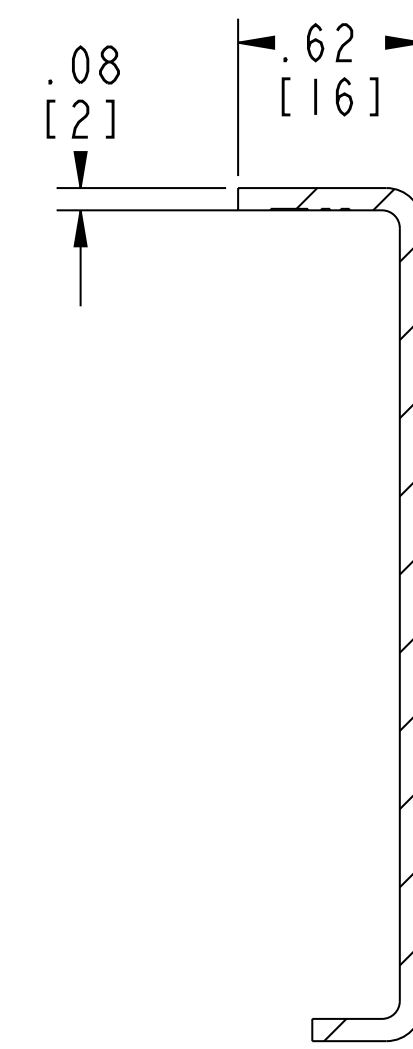
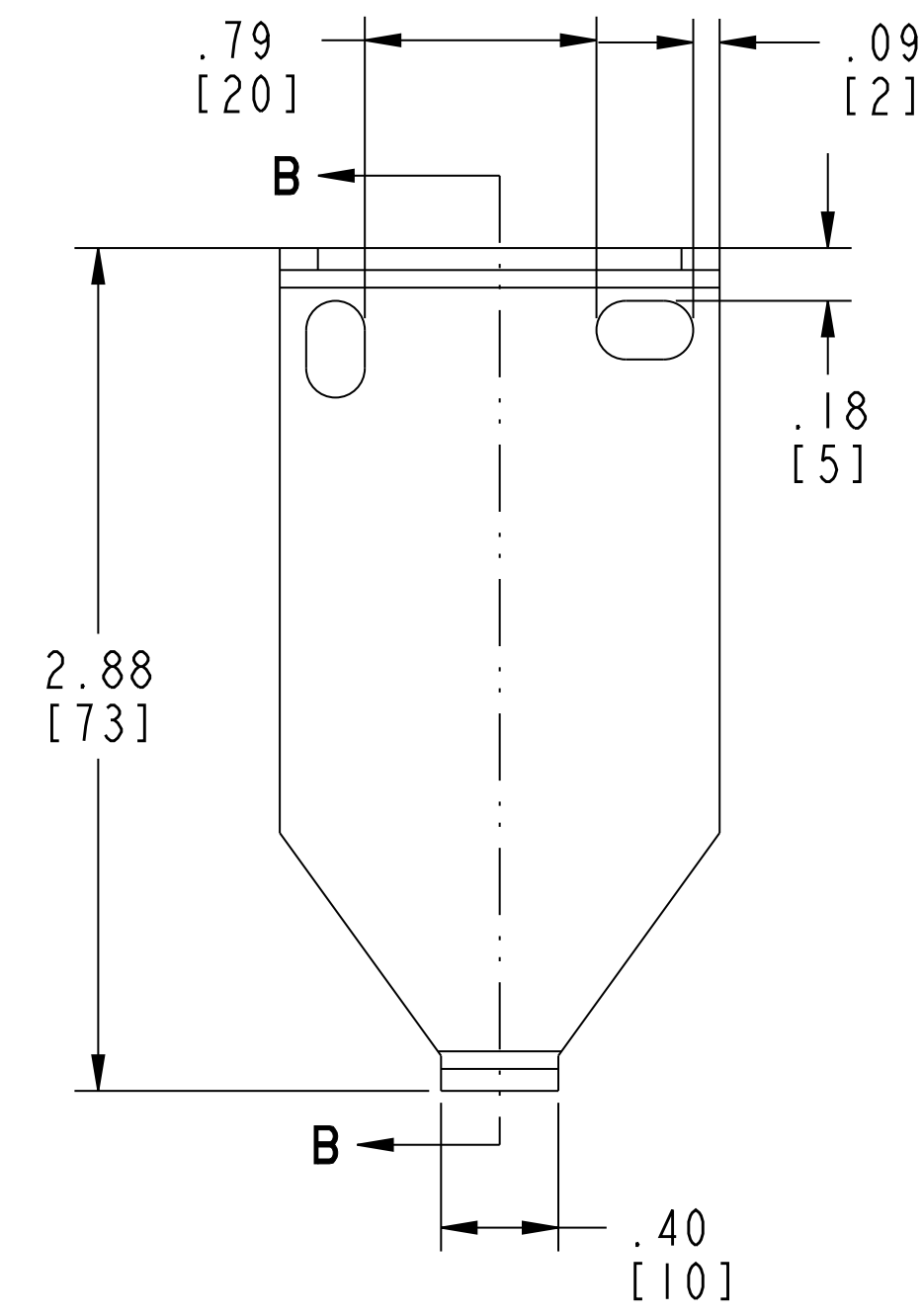
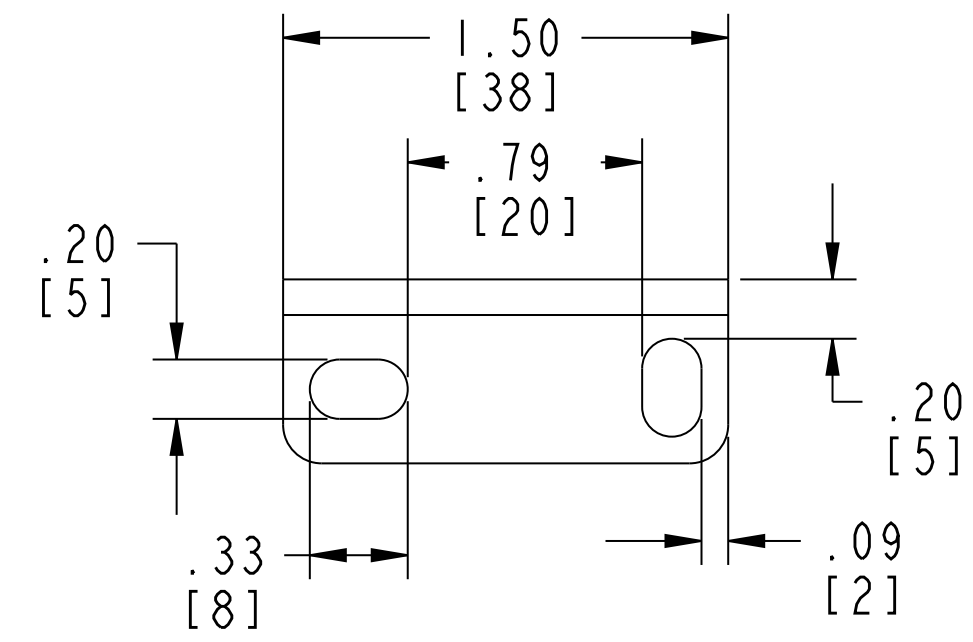
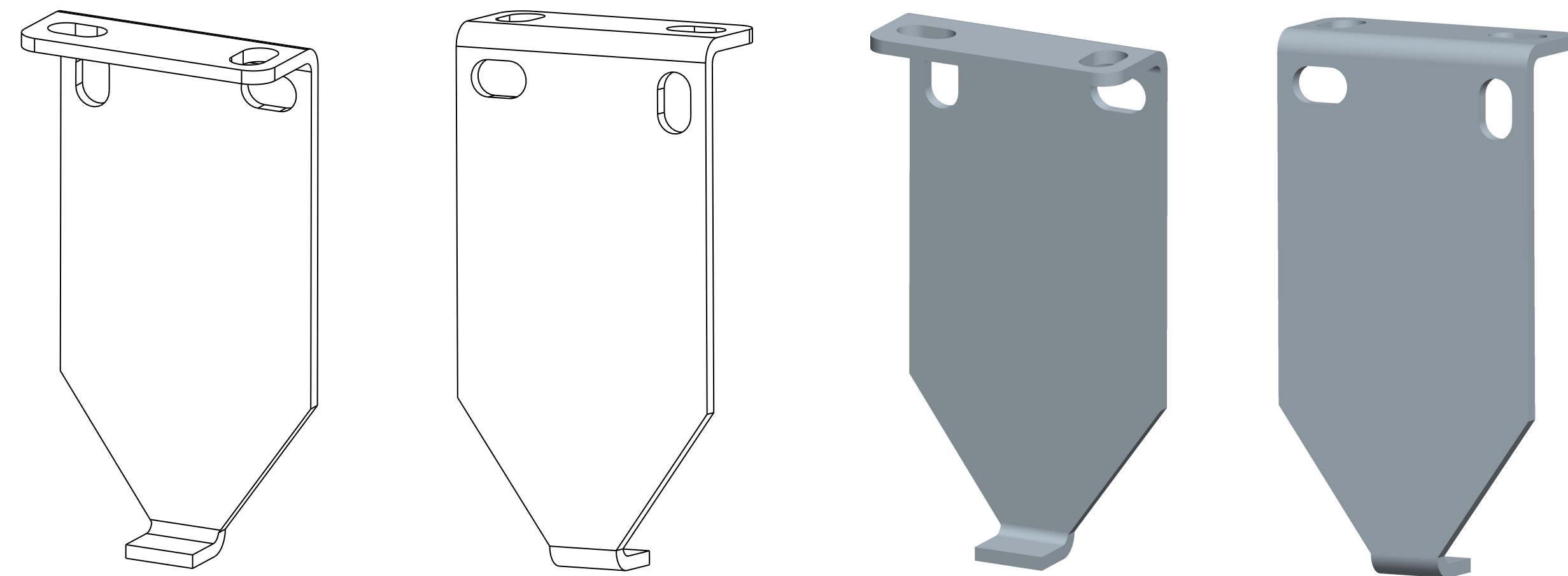


REVISION RECORD				
SYM	DESCRIPTION	BY	DATE	CHK
B	CUSTOMER INSPECTION DRAWING	JSG	16NOV11	



SECTION B-B



SR NO	SBT ITEM NO	CLUTCHS	MAX ROLL DIA	ROLLESE TUBES
1	RB390XX	R3CXX R8CXX	DIA 4.0 INCH OR DIA 101.6 MM	RTEA1TXX RTEA2TXX RTEA3TXX RTEA4TXX

<small>THIS INFORMATION IS CONFIDENTIAL AND PROPRIETARY TO ROLLESE, INC. THE PROSESSOR AGREES TO MAINTAIN THIS INFORMATION AS CONFIDENTIAL, NOT REPRODUCING OR REVEALING IT IN WHOLE OR IN PART TO ANY THIRD PARTY.</small>	INCHES	RolEase, Inc. Stamford, CT	
	TOLERANCES	USED ON	SEE DETAIL DRG
	.XX ±.015 .XXX±.005 ANG ± 1°	R-SERIES	MATL
	JSG	R3-R8	2-7/8 INCH
DATE	SCALE	DRG. NO.	REV
16NOV11	D 1/1	W016P920	B