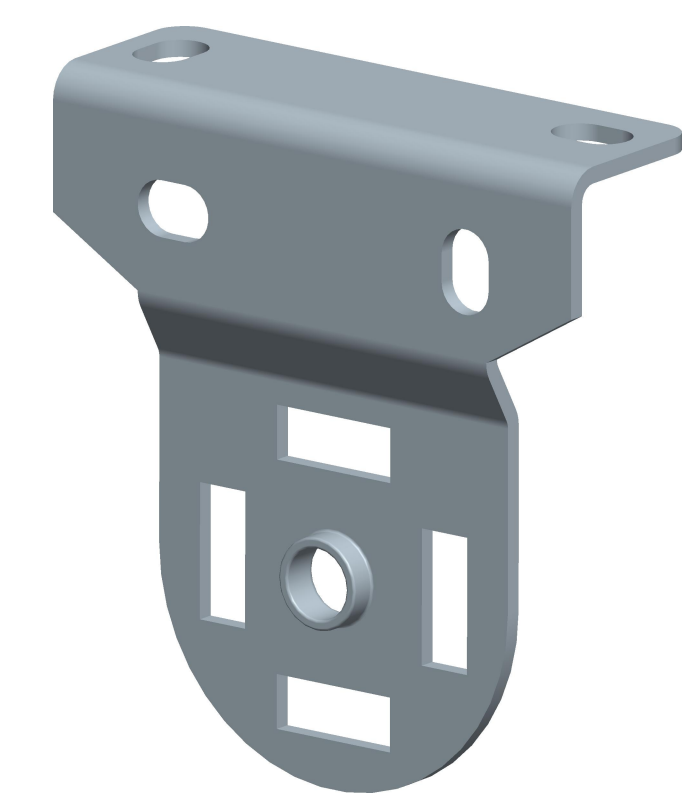
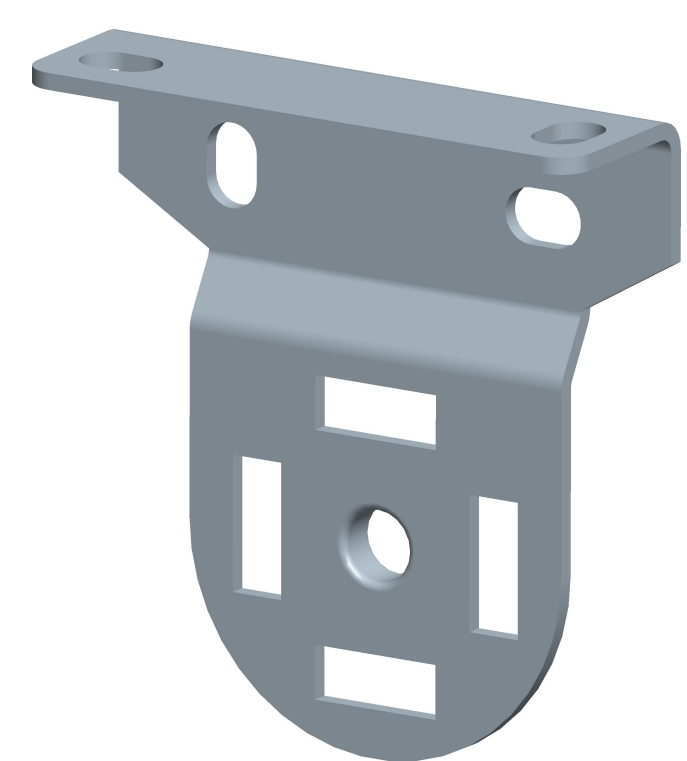
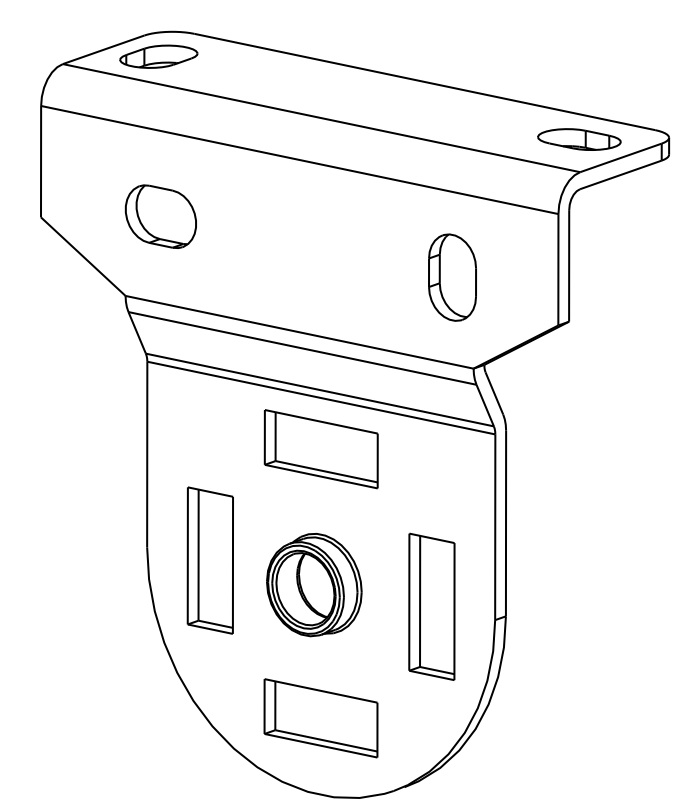
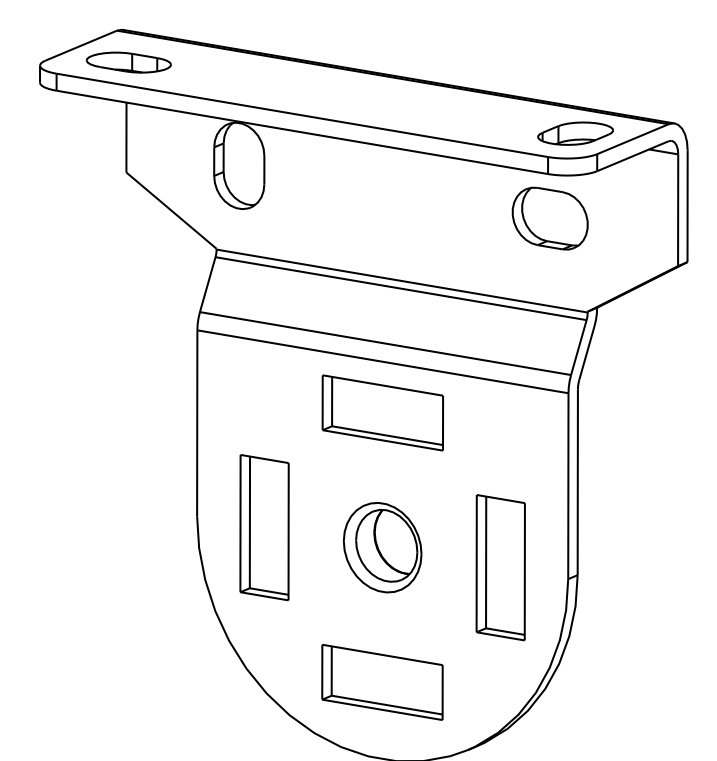
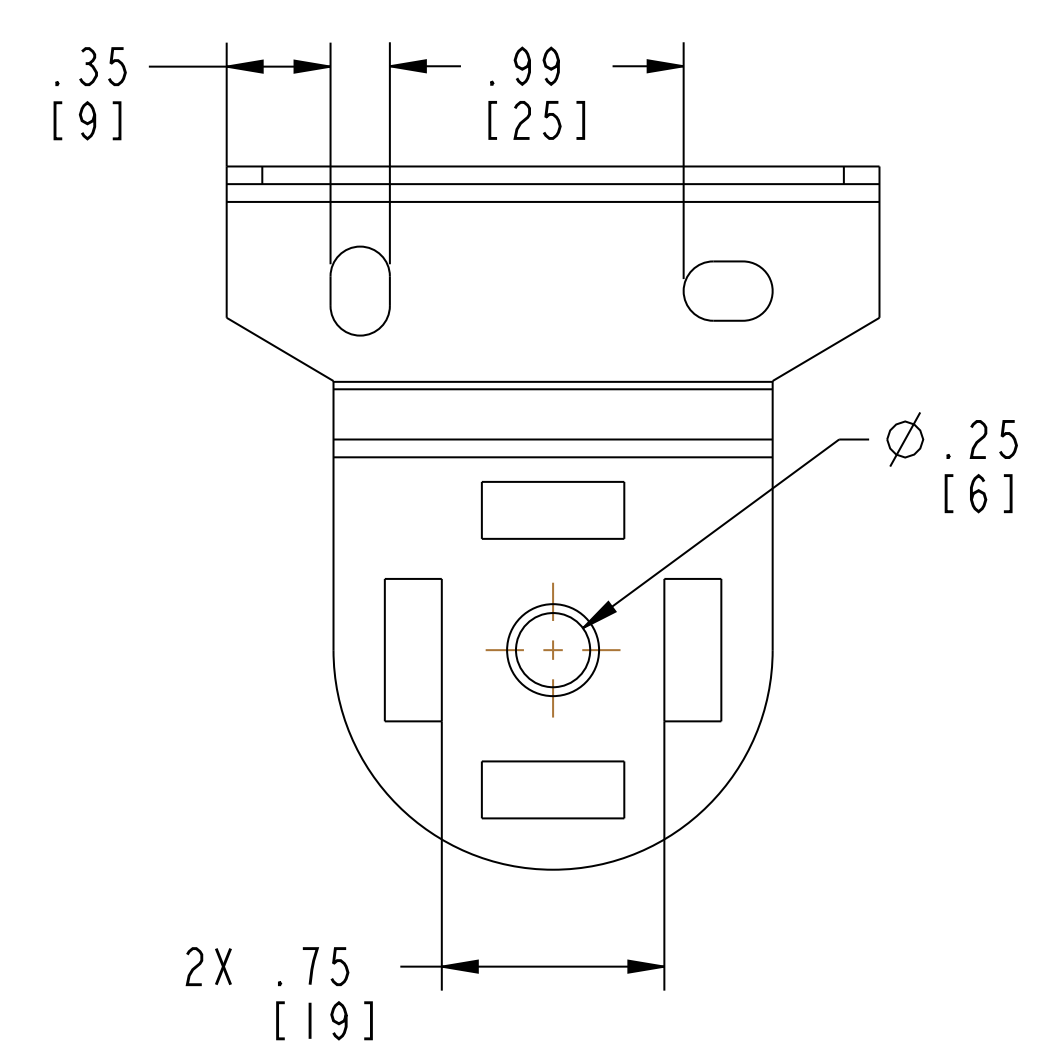
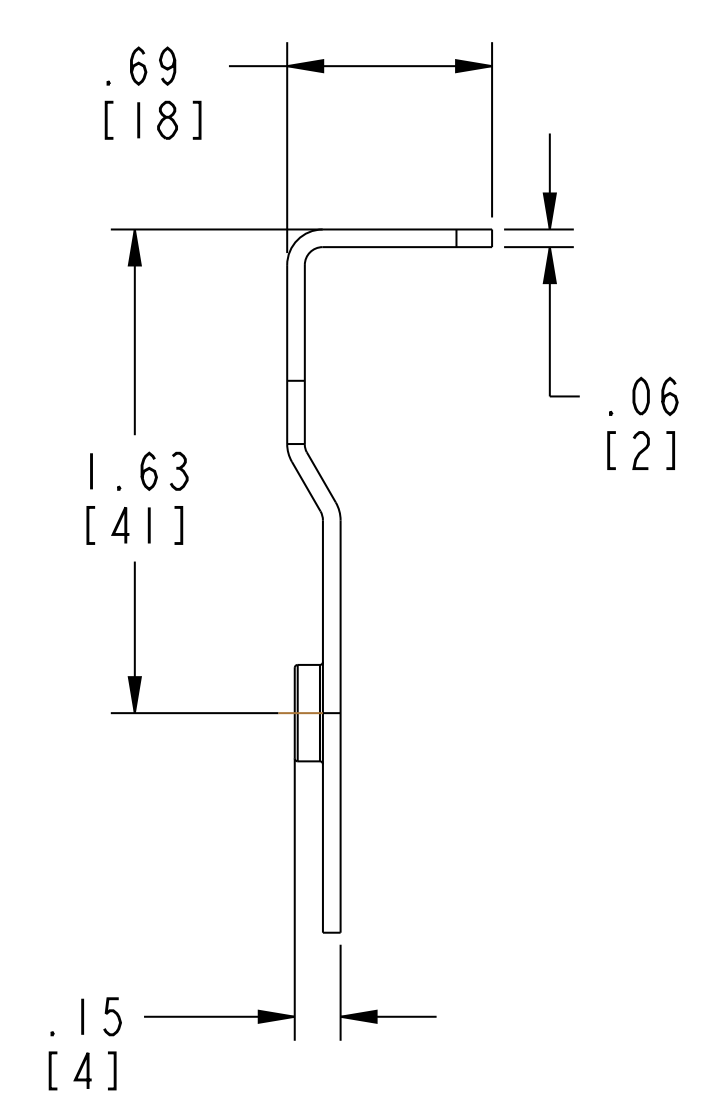
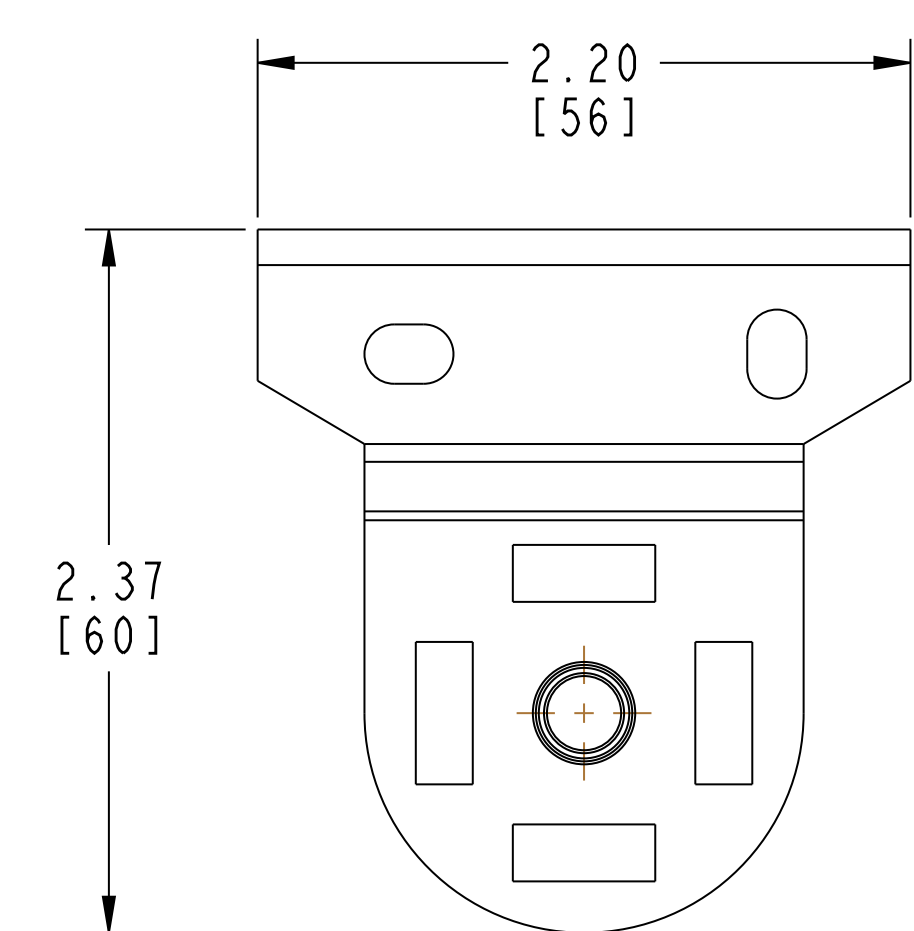
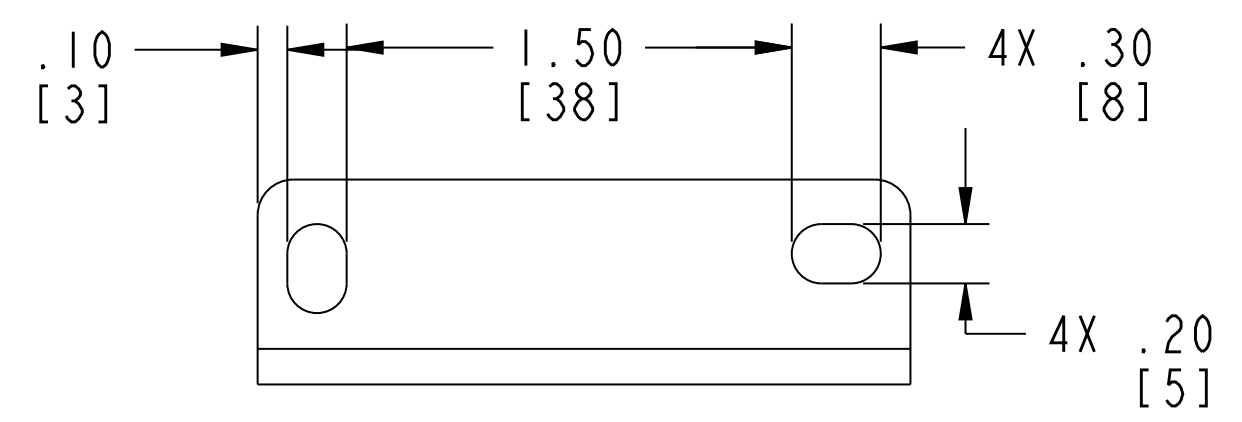


REVISION RECORD				
SYM	DESCRIPTION	BY	DATE	CHK
A	CUSTOMER INSPECTION DRAWING	JSG	25MAY11	



SR NO	SBT ITEM NO	CLUTCHS	MAX ROLL/DIA	ROLLELEASE TUBES
1	SLB660XX	SL5HXX SL10HXX SL15HXX SL20H53XX	DIA 3 INCH OR DIA 76.2 MM	RTEA1TXX RTEA2TXX RTEA3TXX RTEA4TXX RTEA5TXX

THIS INFORMATION IS CONFIDENTIAL AND PROPRIETARY TO ROLLELEASE, INC. THE PROSESSOR AGREES TO MAINTAIN THIS INFORMATION AS CONFIDENTIAL, NOT REPRODUCING OR REVEALING IT IN WHOLE OR IN PART TO ANY THIRD PARTY.	INCHES [MM]	RollEase Window Covering Systems			
	TOLERANCES	USED ON	SKYLINE	MATL	SEE DETAIL DRG
	X.XX : ± 0.015 X.XXX : ± 0.005 ANG : ± 1°	DRAWN BY	TITLE	SIZE	SOLID
	DATE	JSG	SLB660 BRACKET SKYLINE 1.5 Inch	D	H.6
	24MAY11	SCALE	2/1	ENGINEERING DRAWING NUMBER	REV
				W073P151	H