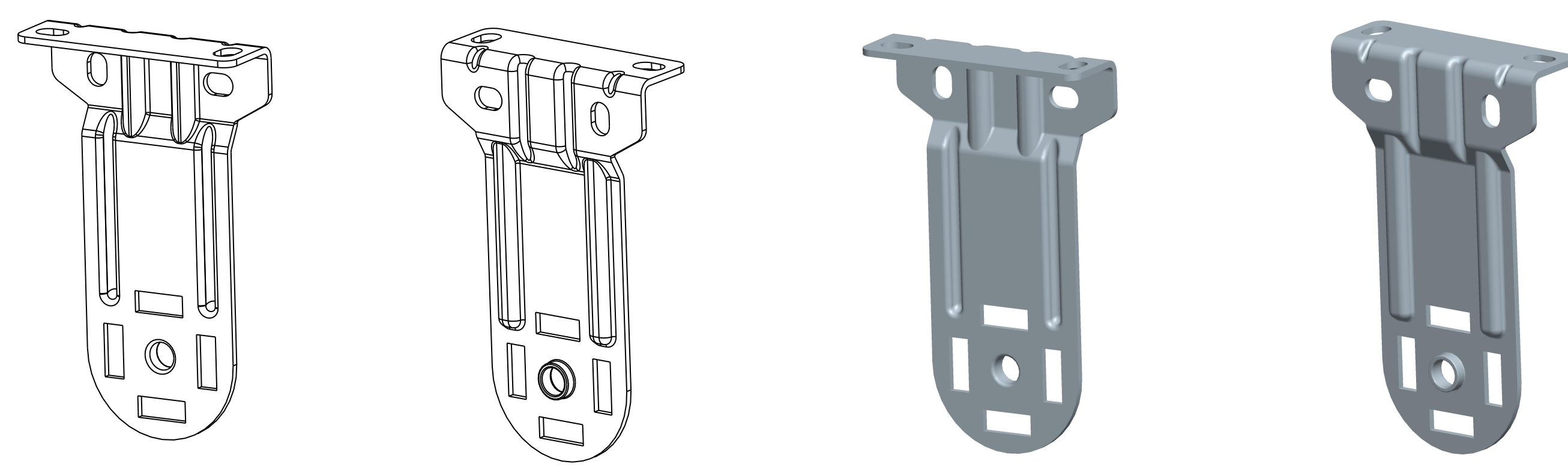
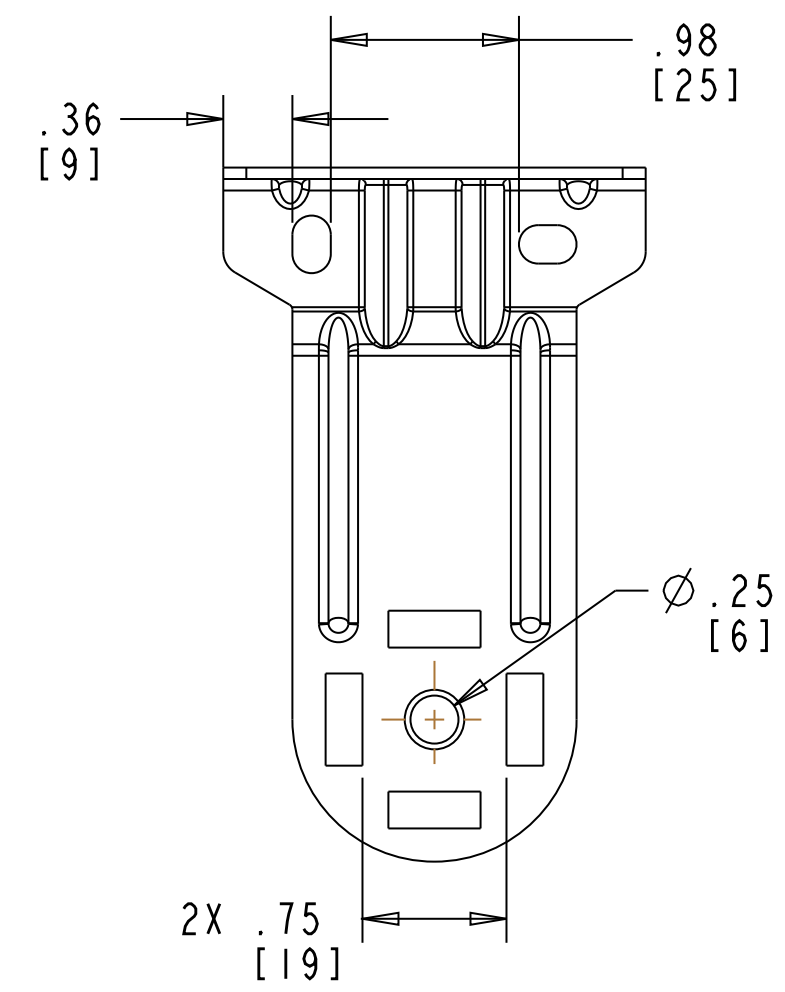
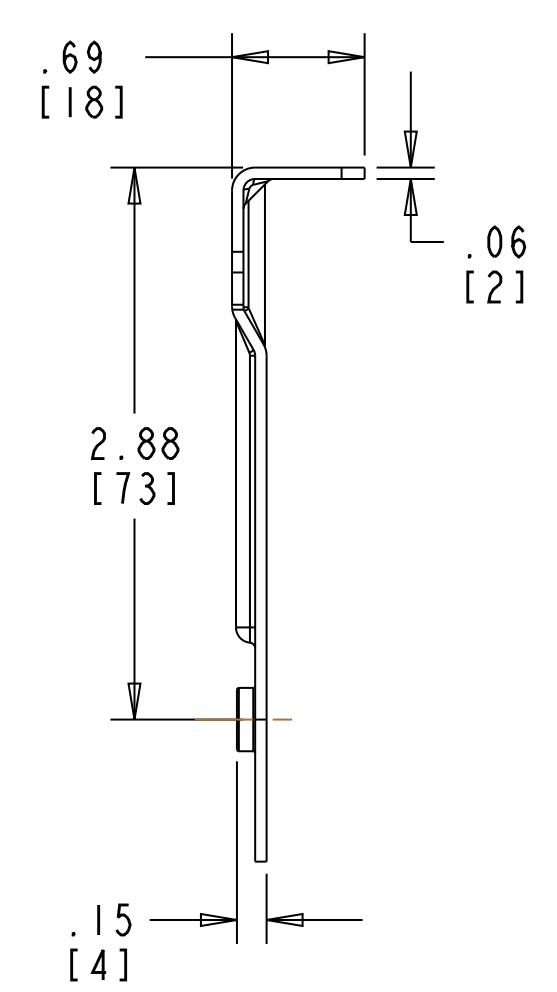
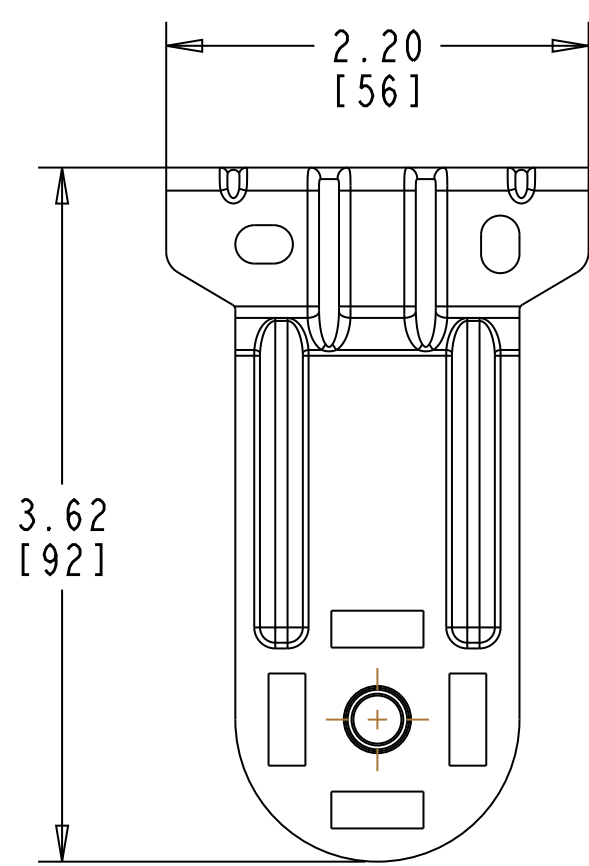
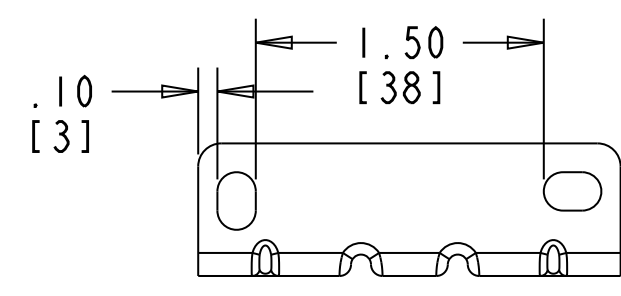


REVISION RECORD				
SYM	DESCRIPTION	BY	DATE	CHK
A	CUSTOMER INSPECTION DRAWING	JSG	25MAY11	



SR NO	SBT ITEM NO	CLUTCHS	MAX ROLL DIA	ROLLEASE TUBES
1	SLB690XX	SL15HXX SL20H53XX SL30H53XX RGALXX RGAL400XX	DIA 5 INCH OR DIA 127.5 MM	RTEA1TXX RTEA2TXX RTEA3TXX RTEA4TXX RTEA5TXX RTEA6TXX RTEA7TXX

THIS INFORMATION IS CONFIDENTIAL AND PROPRIETARY TO ROLLEASE, INC. THE PROSESSOR AGREES TO MAINTAIN THIS INFORMATION AS CONFIDENTIAL, NOT REPRODUCING OR REVEALING IT IN WHOLE OR IN PART TO ANY THIRD PARTY.	INCHES [MM]	RollEase Window Covering Systems			
	TOLERANCES				
	X.XX : ± 0.015	USED ON SKYLINE	MATL	SEE DETAIL DRG	SOLID
	X.XXX : ± 0.005	DRWN BY	TITLE	REV	
ANG : ± 1°	JSG	SLB690 BRACKET	C.15		
DATE	DATE	SCALE	ENGINEERING DRAWING NUMBER		
31MAY2011	31MAY2011	1:1	W073P688		