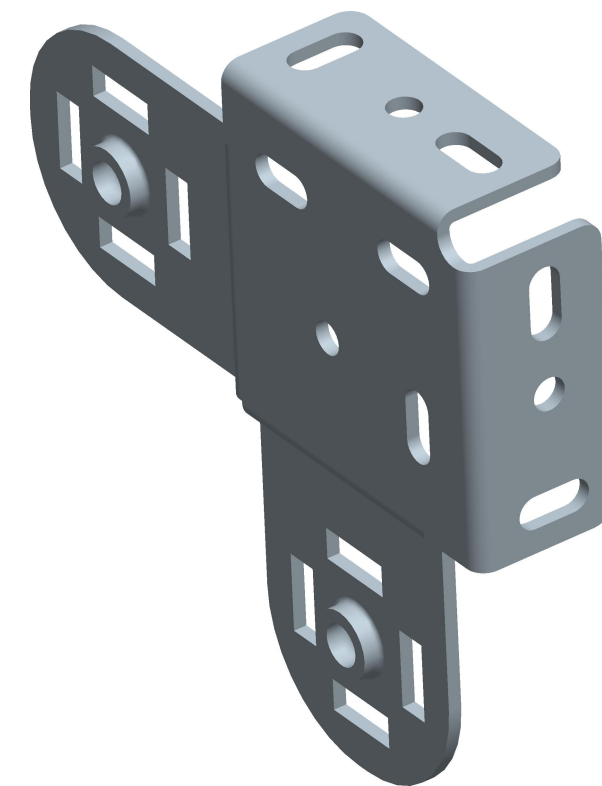
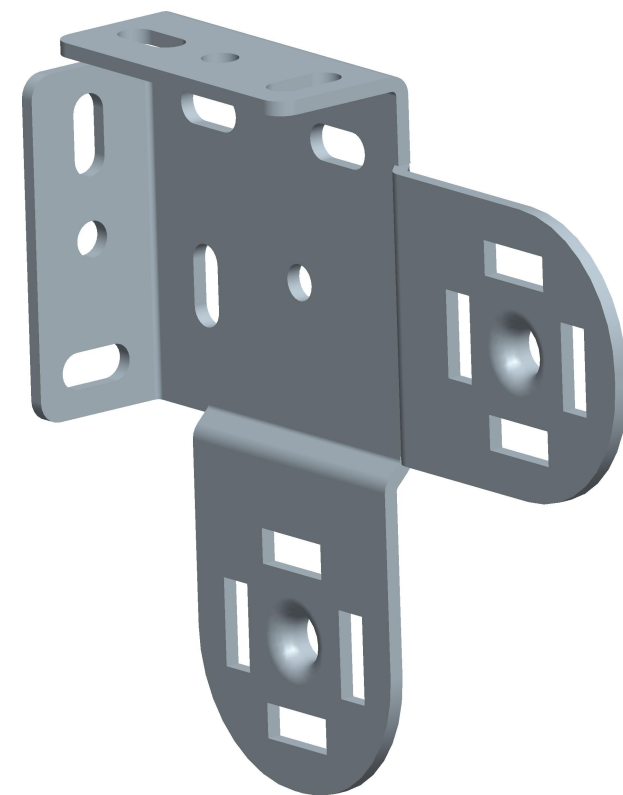
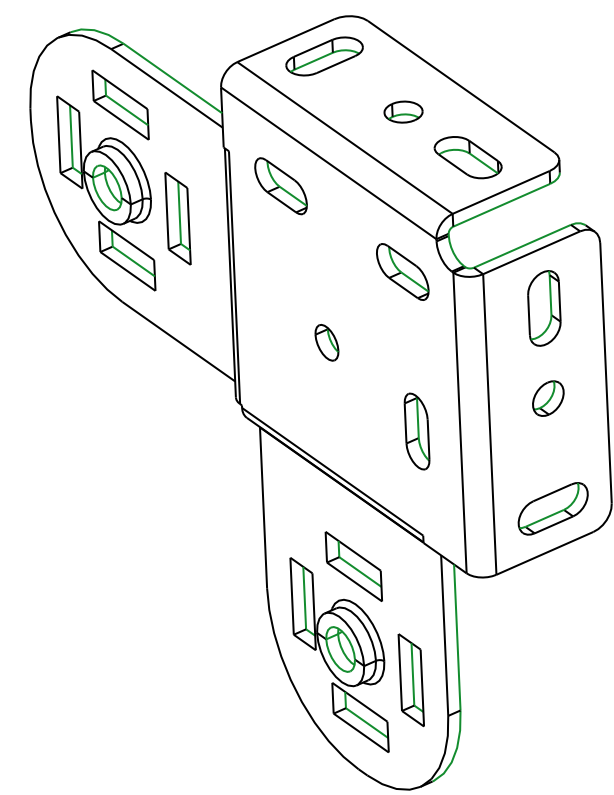
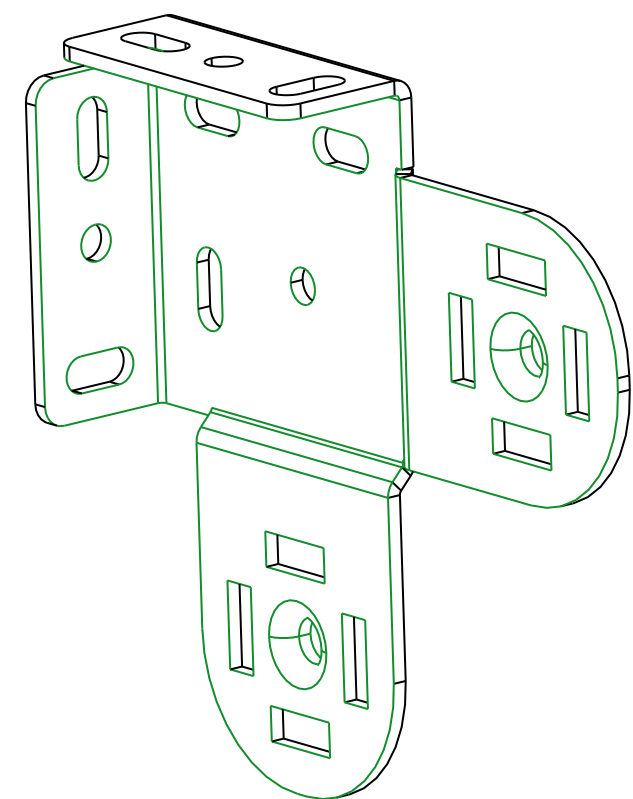
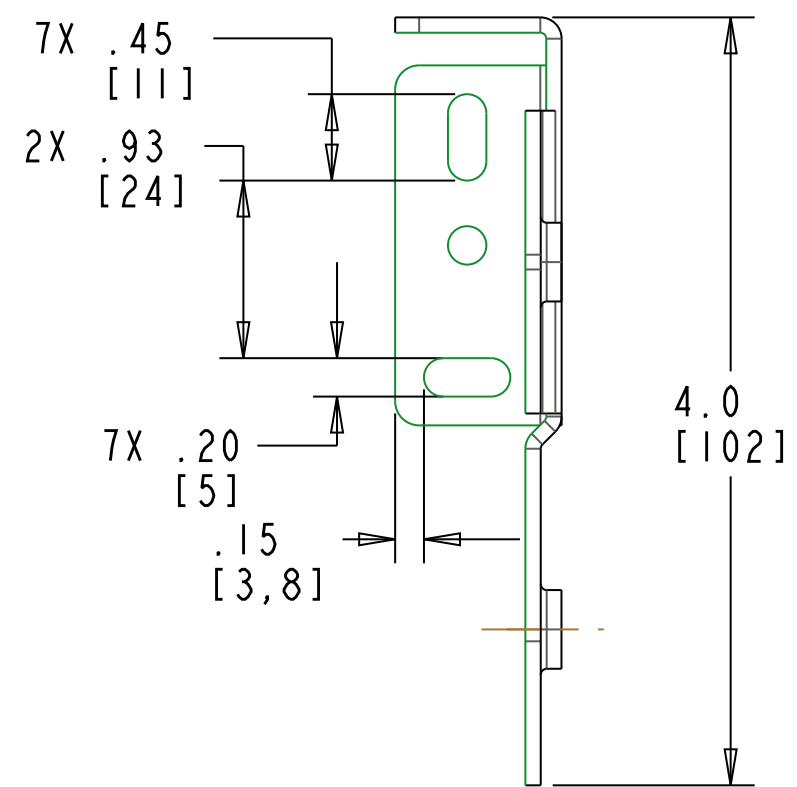
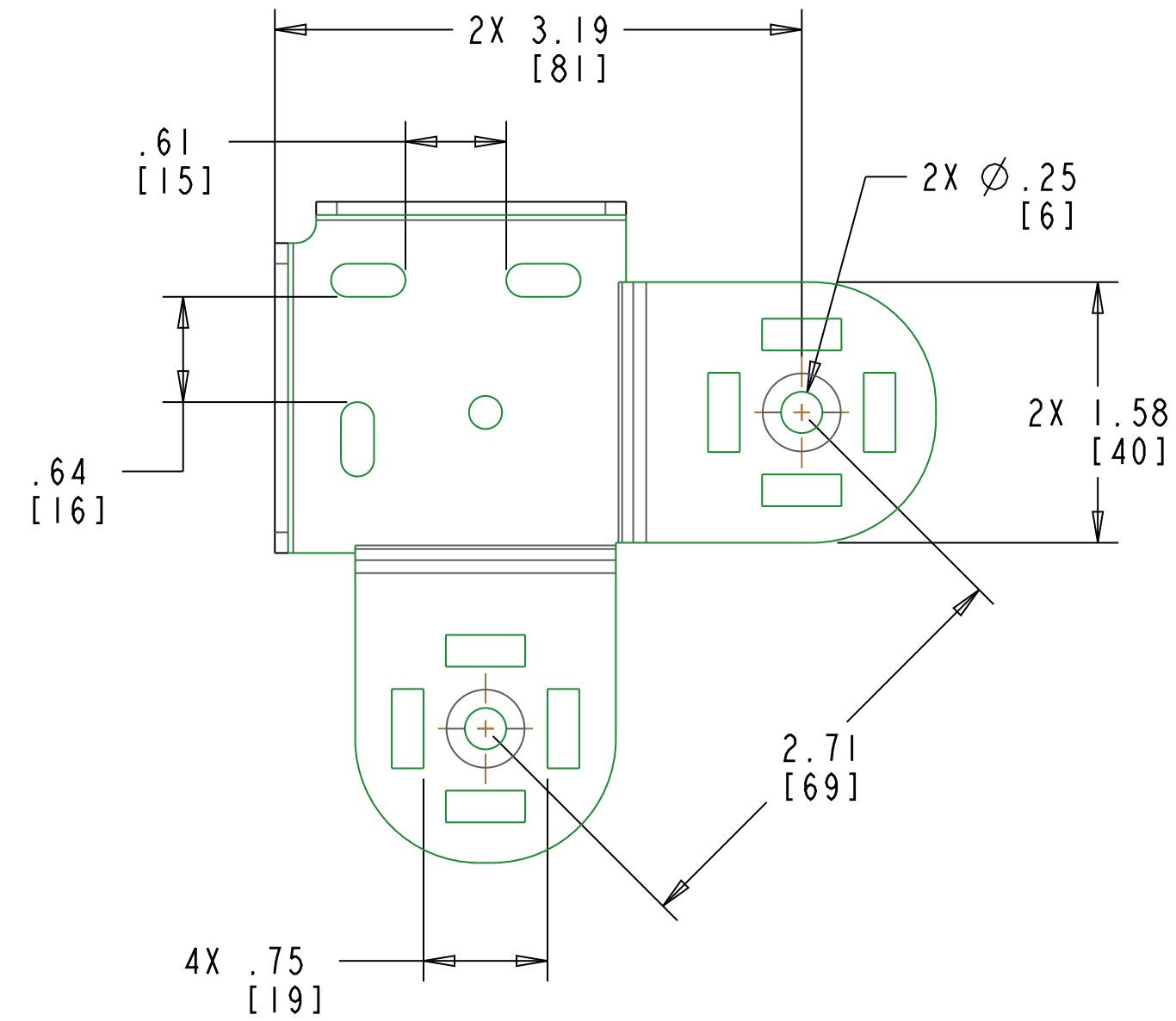
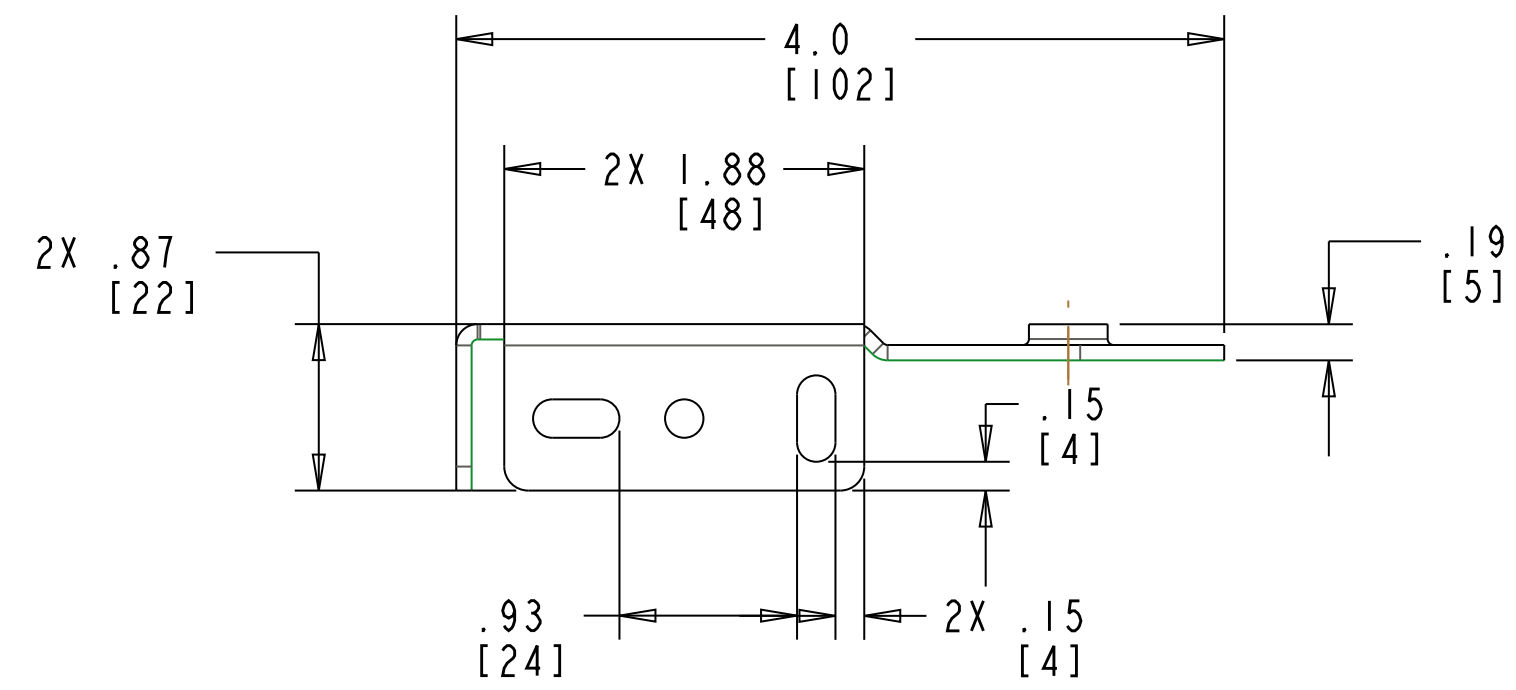


REVISION RECORD				
SYM	DESCRIPTION	BY	DATE	CHK
2	CUSTOMER INSPECTION DRAWING	VRP	14 JUN 11	



SR NO	SBT ITEM NO	CLUTCHS	MAX ROLL DIA	ROLLEASE TUBES
1	SLDB38XX	SL10HXX SL15HXX SL20H53XX RGAL200HX	2.39 INCH OR 60 MM	RTEA1TXX RTEA2TXX RTEA3TXX RTEA4TXX RTEA5TXX

THIS INFORMATION IS CONFIDENTIAL AND PROPRIETARY TO ROLLESE, INC. THE PROSESSOR AGREES TO MAINTAIN THIS INFORMATION AS CONFIDENTIAL, NOT REPRODUCING OR REVEALING IT IN WHOLE OR IN PART TO ANY THIRD PARTY.	INCHES [MM]	RollEse Window Covering Systems			
	TOLERANCES	USED ON	SKYLINE	MATL	SEE DETAIL DRAWING
	X.XX : ± 0.015 X.XXX : ± 0.005 ANG : ± 1°	VRP	SLDB38 SKYLINE UNIVERSAL DOUBLE BRACKET 38mm		SOLID 2.7
	DATE 14 JUN 11	SIZE D	SCALE 1:1	ENGINEERING DRAWING NUMBER: W159P003	REV 2