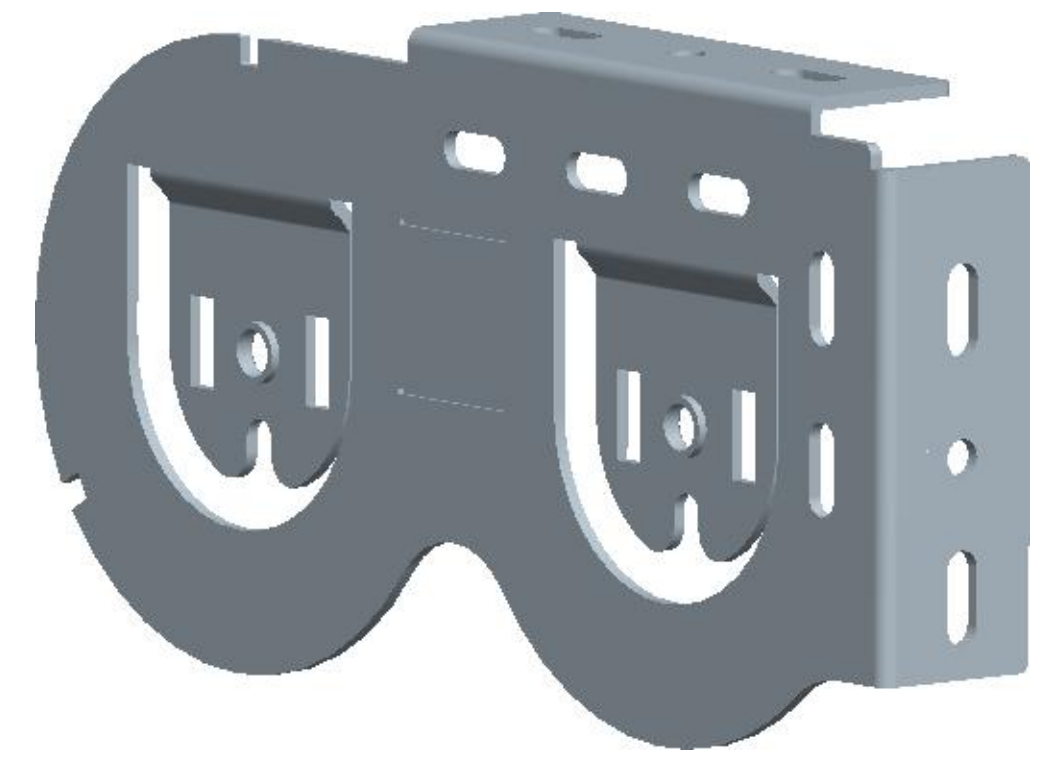
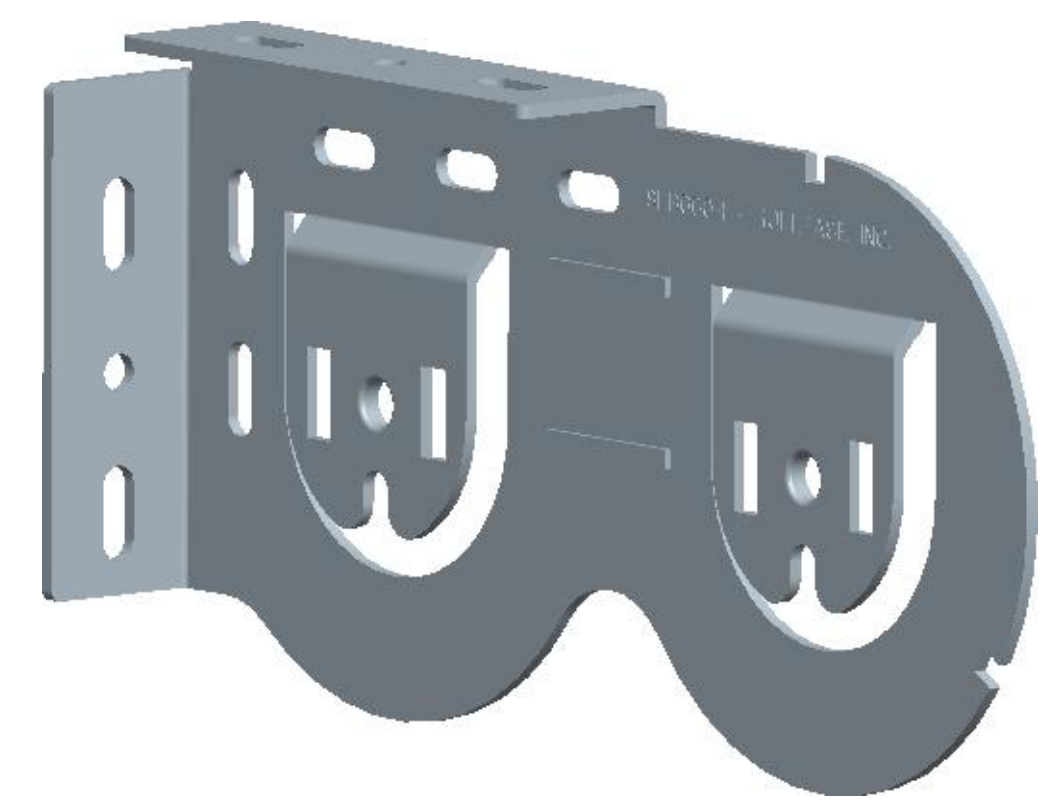
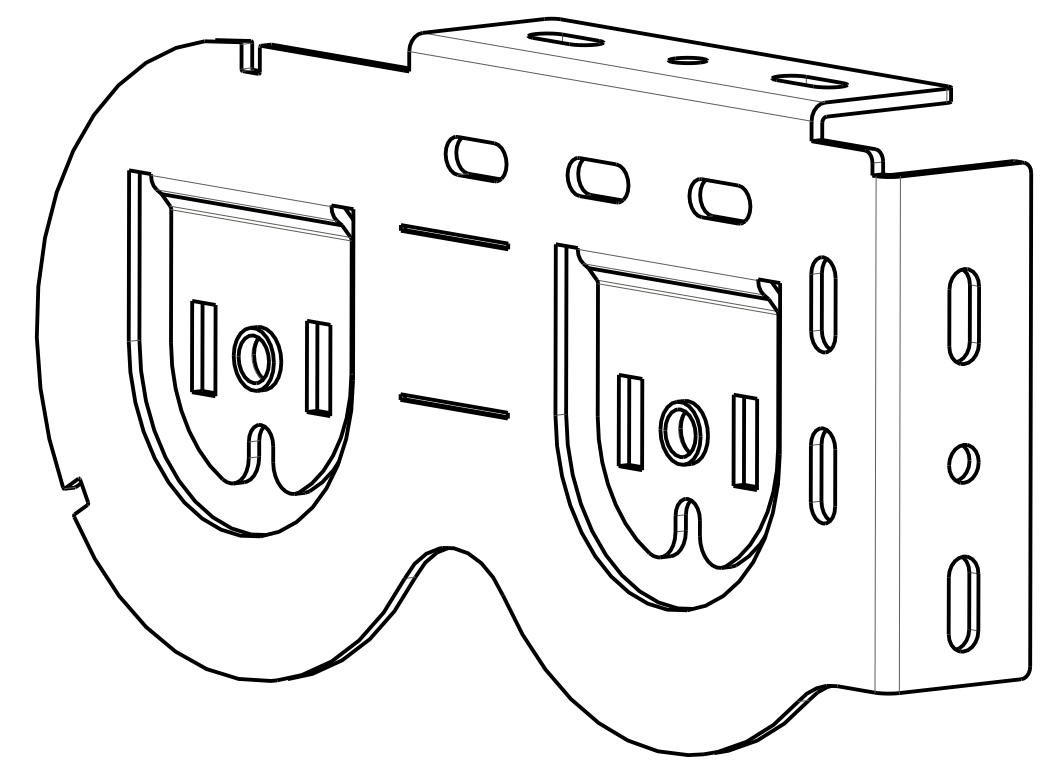
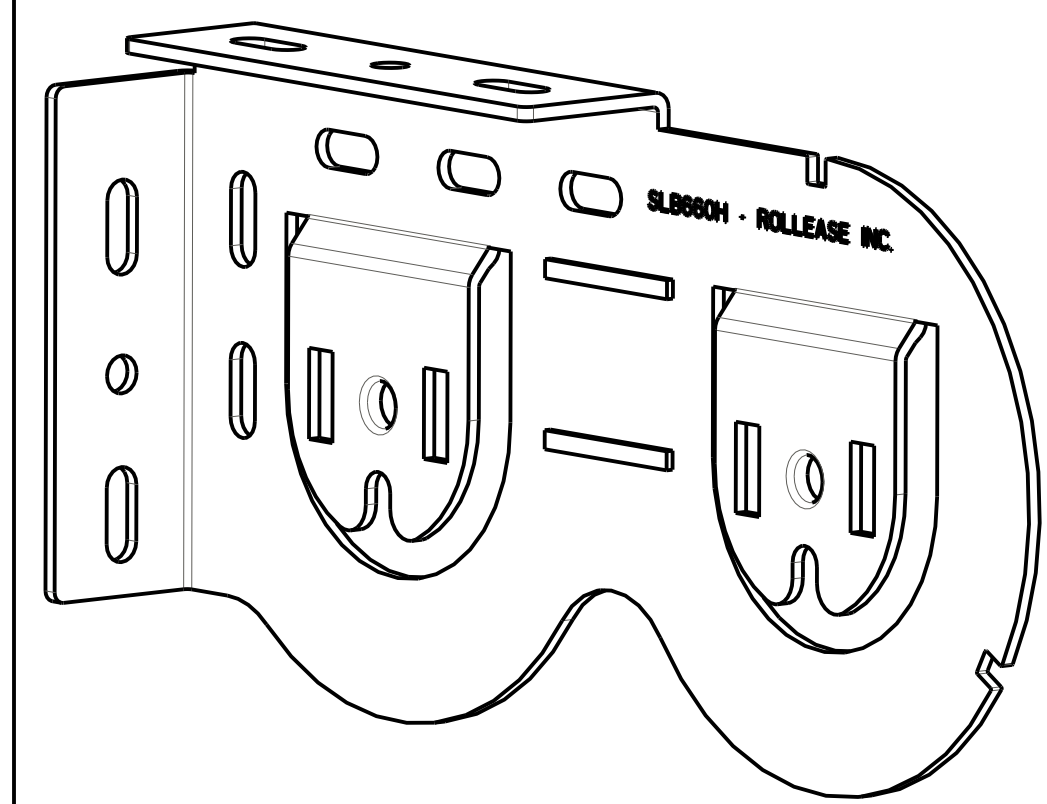
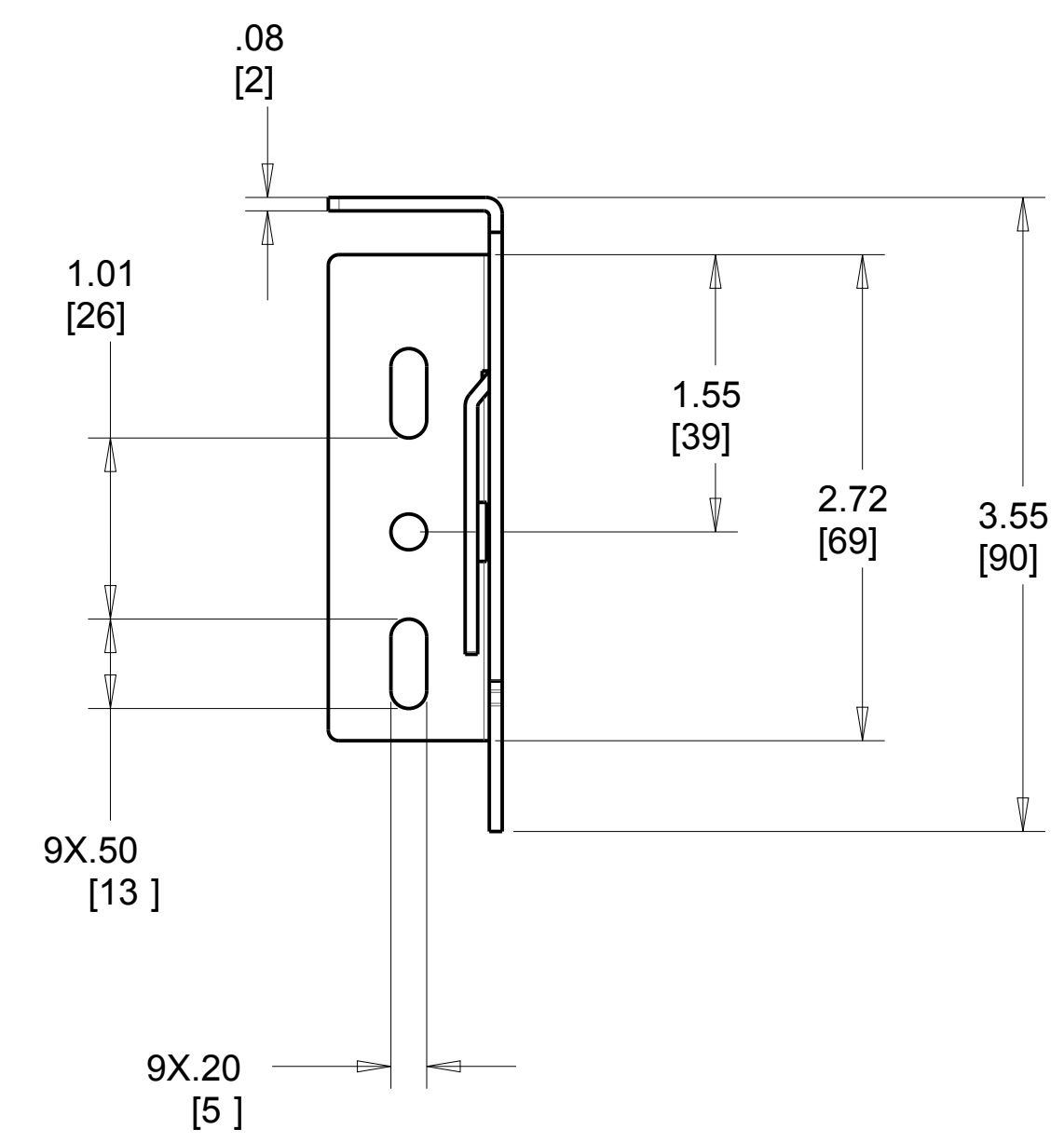
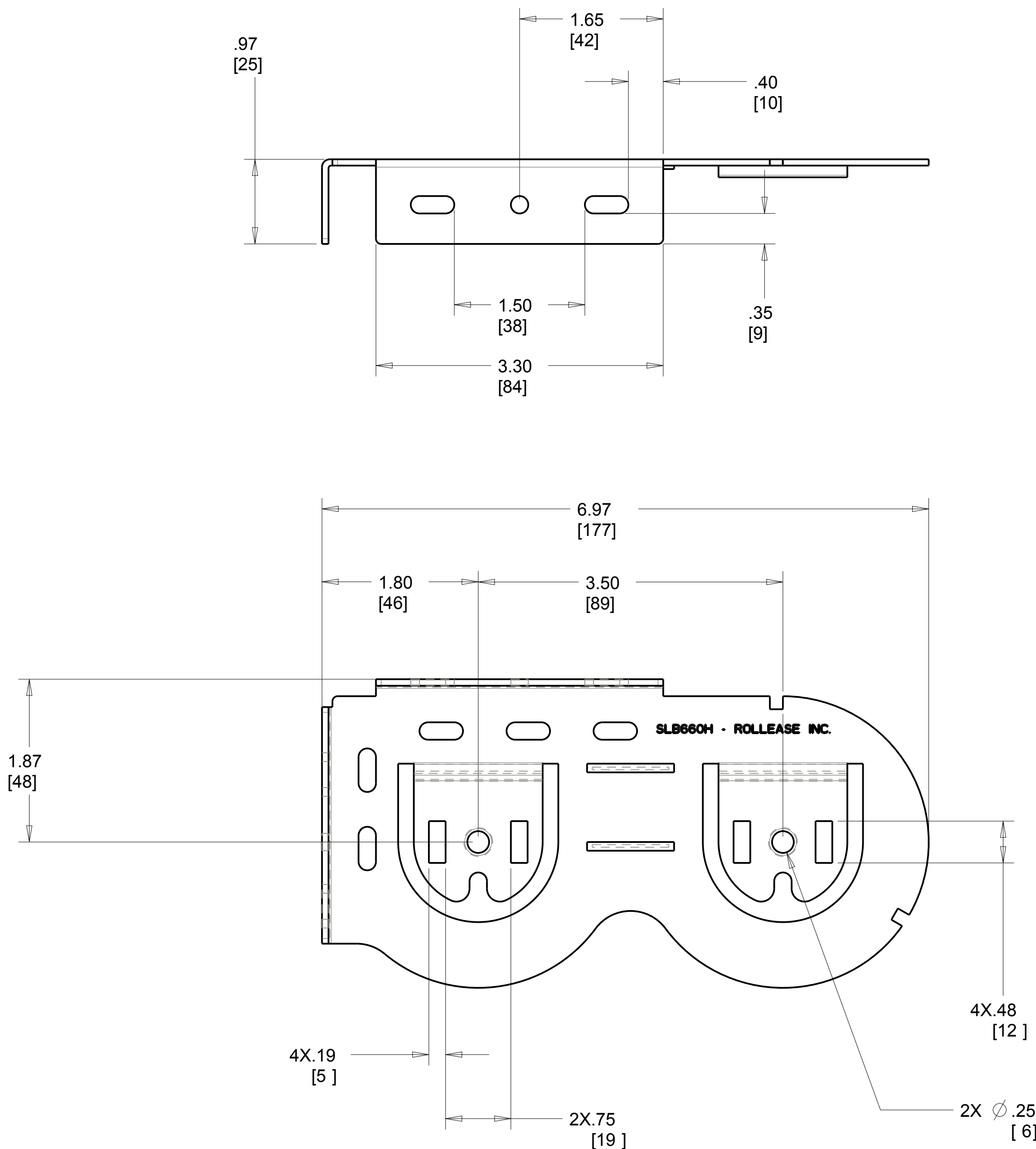


REVISION RECORD				
SYM	DESCRIPTION	BY	DATE	CHK
E	CUSTOMER INSPECTION DRAWING	VRP	01AUG11	



SR NO	SBT ITEM NO	CLUTCHS	MAX ROLL DIA	ROLLEASE TUBES
1	SLB660DBHXX	SL10HXX SL15HXX SL20H53XX RGALHX RGAL400HX	DIA 3.25 INCH OR DIA 82.5 MM	RTEA1TXX RTEA2TXX RTEA3TXX RTEA4TXX RTEA5TXX

THIS INFORMATION IS CONFIDENTIAL AND PROPRIETARY TO ROLLEASE, INC. THE POSSESSOR AGREES TO MAINTAIN THIS INFORMATION AS CONFIDENTIAL, NOT REPRODUCING OR DISSEMINATING IN WHOLE OR IN PART TO ANY THIRD PARTY.	INCHES [MM]	RollEase Window Covering Systems		
	TOLERANCES	DATE	SCALE	SEE NOTES
	X.XX = ± 0.015 X.XXX = ± 0.005 ANG = ± 1°	VRP	1:1	SLB660DBH BRACKET SKYLINE DOUBLE HORIZONTAL LEFT
	DATE: 01AUG11	DESIGNER: D	SCALE: 1:1	W073P010