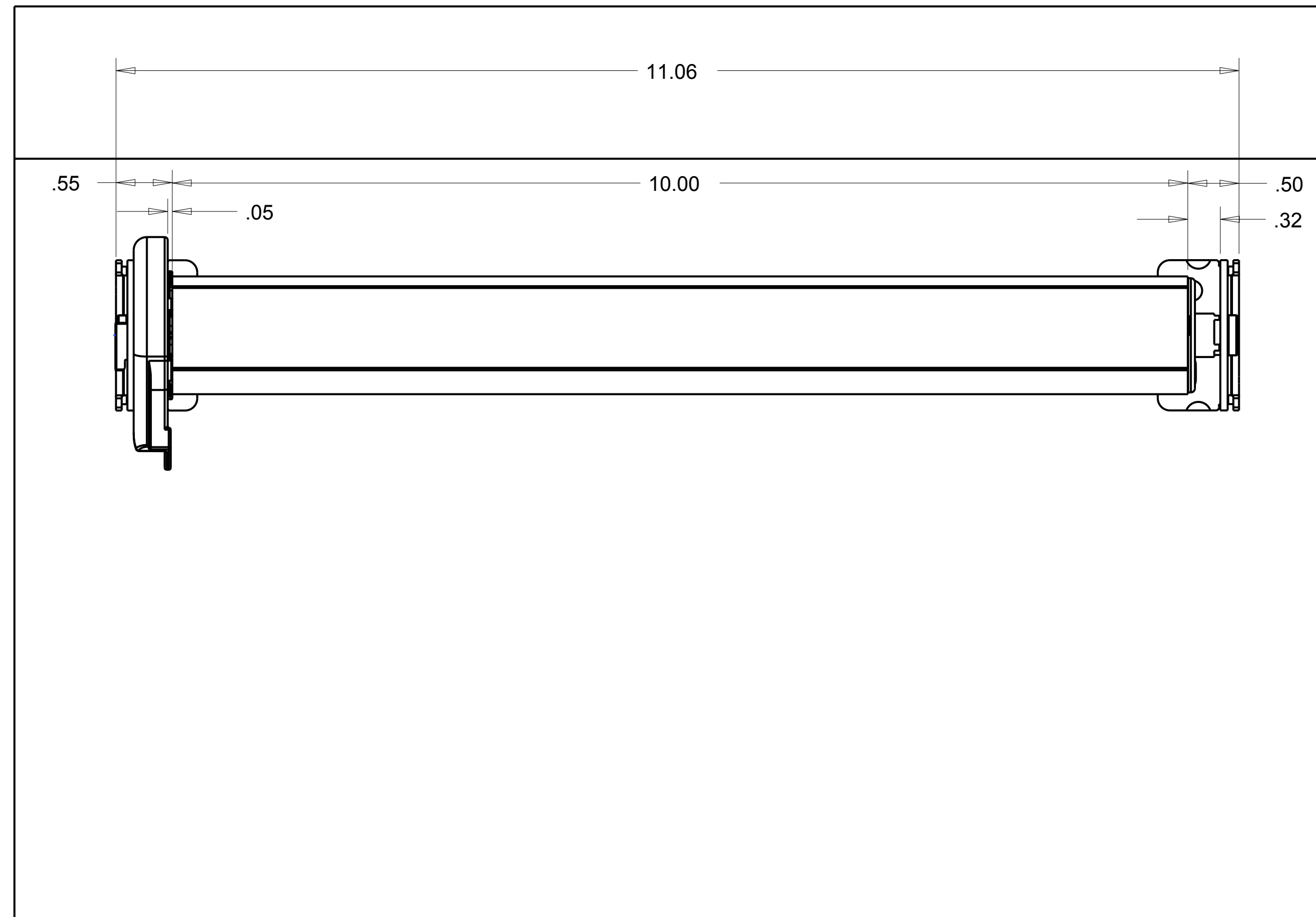
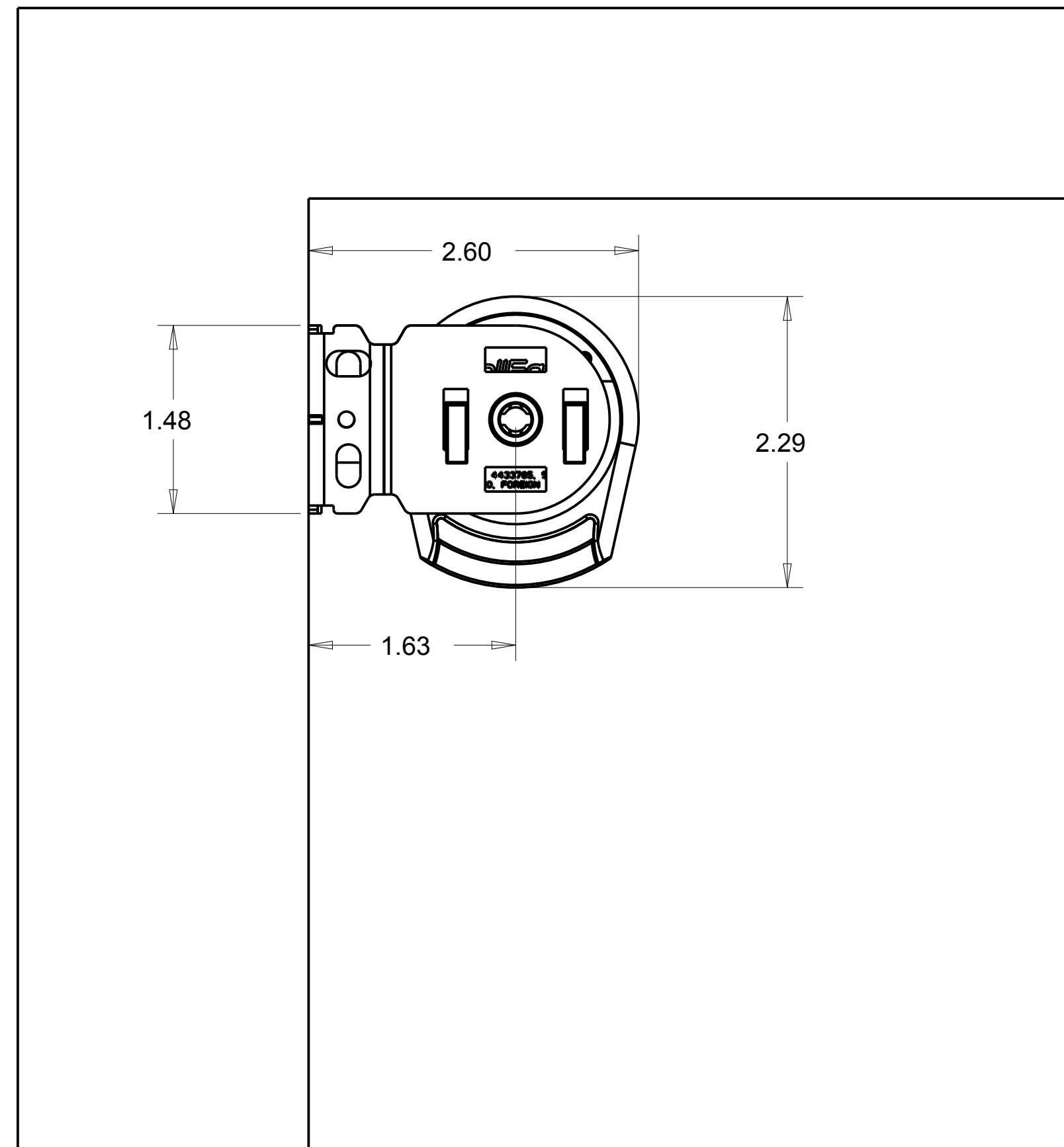


REVISION RECORD				
SYM	DESCRIPTION	BY	DATE	CHK



<small>THIS INFORMATION IS CONFIDENTIAL AND PROPRIETARY TO ROLLERASE, INC. THE PROSESSOR AGREES TO MAINTAIN THIS INFORMATION AS CONFIDENTIAL, NOT REPRODUCE OR DISCLOSE IT IN WHOLE OR IN PART TO ANY THIRD PARTY.</small>	INCHES		RollEase <i>Window Covering Systems</i>		
	TOLERANCES				
	<small>X.XX ± 0.015 X.XXX ± 0.005 ANG ± 1°</small>	<small>DESIGNED BY</small> JSG	<small>TITLE</small> ASSY SL15, SLNB660	<small>SCALE</small> 1/1	<small>SEE DETAIL NOTES</small> 1.1
	<small>DATE</small> 08JAN13	<small>ISSUE</small> D	<small>ENGINEERING DRAWING NUMBER</small> 002P041	<small>REV</small> 1.1	