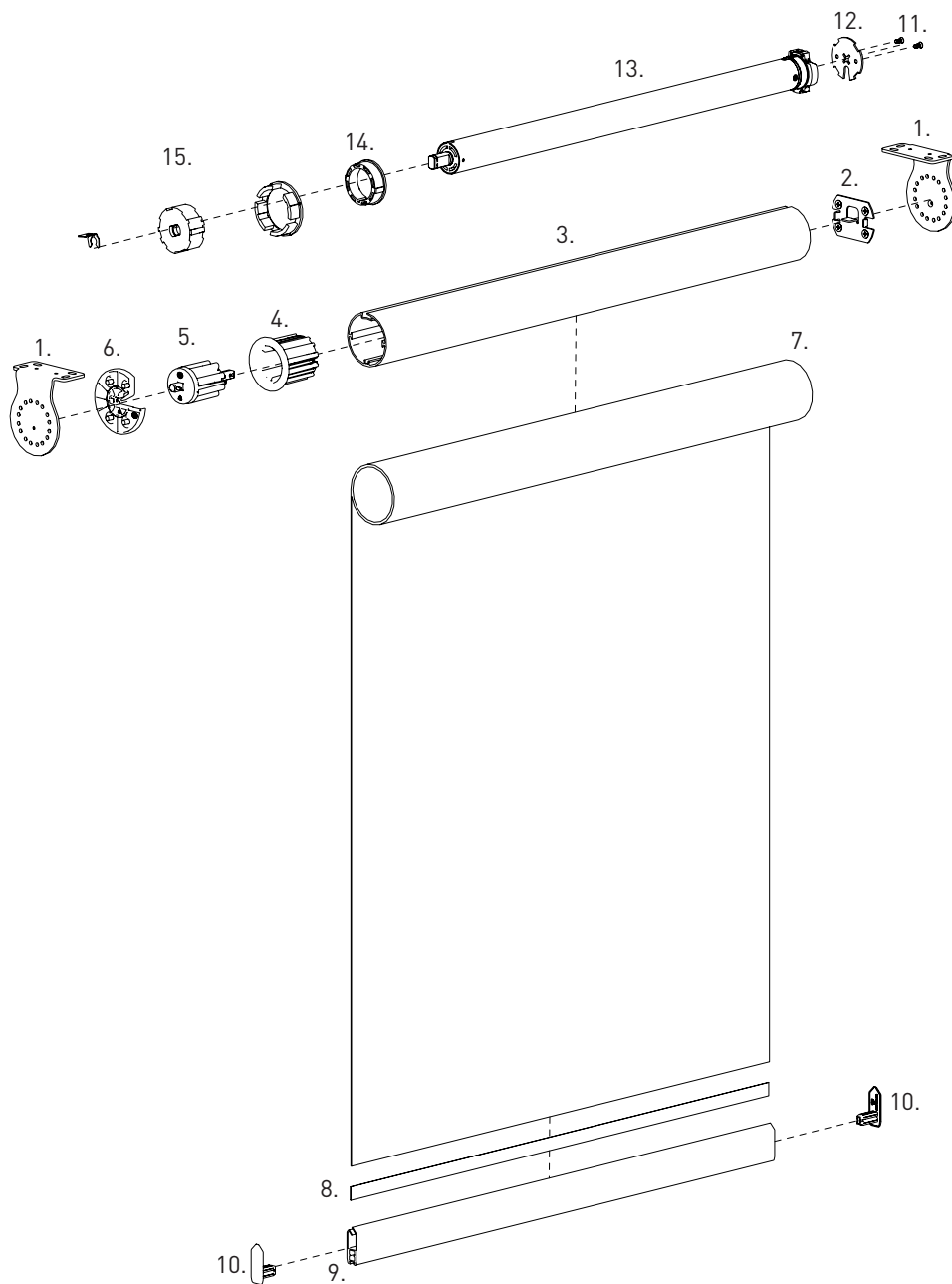


ROLLEASE ACMEDA CONTRACT PROGRAM

S60 MOTORIZED SINGLE SHADE

GENERAL SCHEMATICS



SYSTEM INDEX

- | | |
|--|--|
| 1. S60 M50 Universal Bracket | 10. F4115 Flat Heavy Duty End Cap |
| 2. M40 HD Motor Adaptor Set | 11. Slam Screw |
| 3. SYS60 60 STD Aluminium Tube | 12. M40 H/D Slim Head Motor Disc Adapter |
| 4. RB10 Tube Adaptor S60 | 13. Automate ARCF Q6 Motor |
| 5. RB10 Bearing Idler/End Plug S60 | 14. Crown Adaptor 35 to 45mm Motor |
| 6. RB10 Idler Universal Bracket Adaptor S60 | 15. Automate M50 Crown and Drive Set |
| 7. Fabric | |
| 8. 15mm ACM Flat Spline - With Double Sided Tape | |
| 9. F4115 Flat Heavy Duty Bottom Rail | |

ROLLEASE ACMEDA CONTRACT

Leading innovator of precision hardware and automated shade solutions.

USA | EUROPE | AUSTRALIA rolleaseacmeda.com