

SILENTPIN™ System Idler

TECHNICAL DATA SHEET

RollEase® SILENTPIN™ Idler

Part Number: MSPE5BK

The SILENTPIN™ Idler fastens to the SILENTPIN™ Idler Bracket to securely capture and lock the 10mm idler shaft to prevent unintentional separation. The method of retention of the idler pin also prevents the shaft from spinning in the bracket. Instead, the rotation of the shade is accomplished by the housing and internal bronze bushing rotating around the steel shaft. This system is exceptionally safe and quiet.

Qualified: The SILENTPIN™ System with the SILENTPIN™ Adapter Sets and RollEase® Tube is life tested to meet RollEase® qualification standards.

Max Torque: 440 in/lbs (50 Nm)

Max Load: 254 lbs (115 kgs)

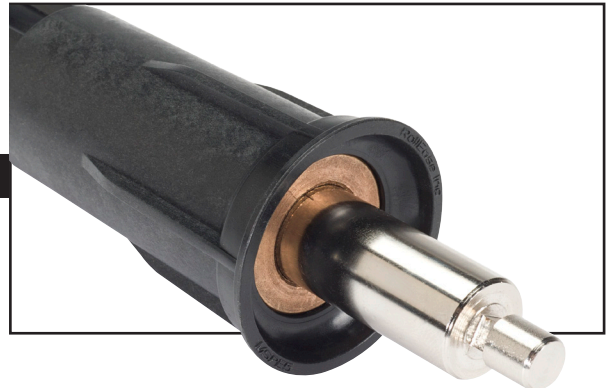
Mounting: Using the SILENTPIN™ Idler, Bracket Set, Adapter Set and RollEase® Tube produces a reliable, safe and remarkably quiet motorized shade. On applications over 10' wide it is recommended to fasten the yellow drive wheel of the idler into the tube.

Adjustability: The SILENTPIN™ Idler shaft can travel longitudinally 1.375" (35mm) allowing for some flexibility during installation. The more compressed the shaft, the minimal the light gap.

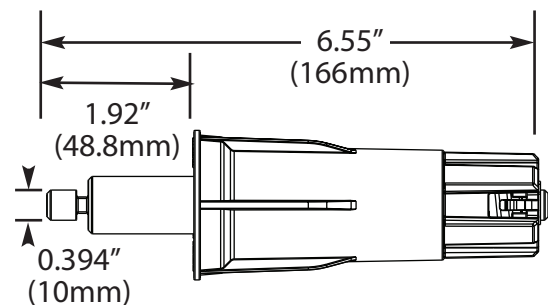
Total Tube Deductions: Minimum 1.5" (0.75" motor and Idler equal on both sides) Maximum 2.5" (0.75" motor and 1.75" Idler).

Achievable Minimum Light Gap: 0.75" minimum per side.

RollEase® SILENTPIN™ Adapter Sets:



SILENTPIN™ Idler MSPE5BK



RollEase® SILENTPIN™ Idler

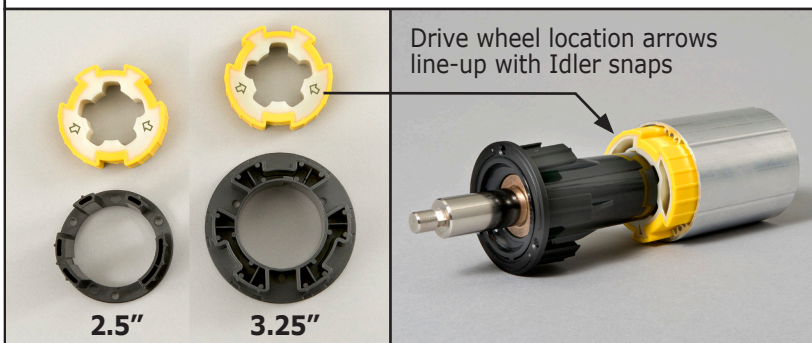
Fits These Tube Sizes:

2" Smooth Wall Tube: RTEASW5T14
Tube must be notched. No adapters necessary.

2.5" (63mm) Profile Tube: RTEA6T16
Use Motor Adapter Set: **RTA6U50BK**

3.25" (83mm) Profile Tube: RTEA7T16
Use Motor Adapter Set: **RTA7U50**

The adapter set consists of a crown, drive and screws custom fit to RollEase® profile tubes. The drives are overmolded with a soft thermoplastic elastomer to dampen noise produced from motor vibration.



Taped or Untaped Aluminum Tubes for Motorization

