

## SILENTPIN™ System

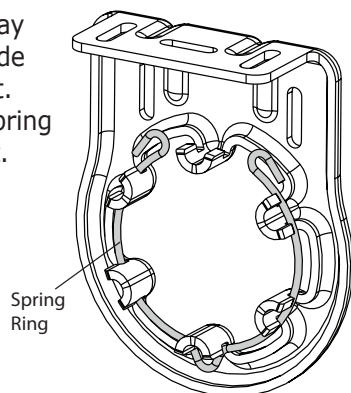
### INSTALLATION GUIDE



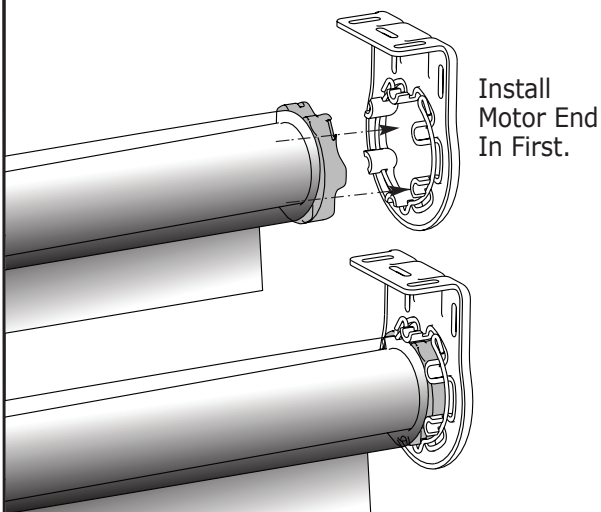
#### SILENTPIN™ MOTOR BRACKET MSBM6

##### LT50, Sonesse-50 Motor Bracket Installation

The Motor Bracket may be top mounted or side mounted, left or right. Do not remove the spring ring from the bracket.

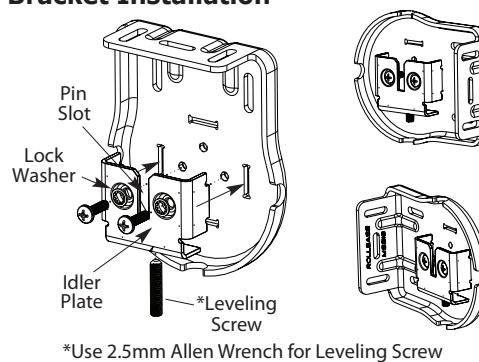


Press the motor into the bracket, spring ring will open slightly allowing the motor to enter and then the spring will close, firmly locking the motor to the bracket. Ensure the spring ring is inside the groove of the bracket and the motor.



#### SILENTPIN™ IDLER BRACKET MSBI6

##### Idler Bracket Installation



The Idler Plate must be positioned with the "U" shaped Pin Slot **up**. Align the Idler Plate in the appropriate three slots and secure with the two screws and lock washers provided. Next, drop in SILENTPIN™ Idler into Bracket. After the shade is installed, adjust the leveling screw as required.

