

UNI-LINK SYSTEM S60

The Acmeda Uni-Link system was designed to achieve a degree specific angled operation when linking multiple blinds. Driven by a single motor or chain control mechanism, the Uni-Joint system can achieve a maximum angle of 90 degrees.

AESTHETICA FEATURES

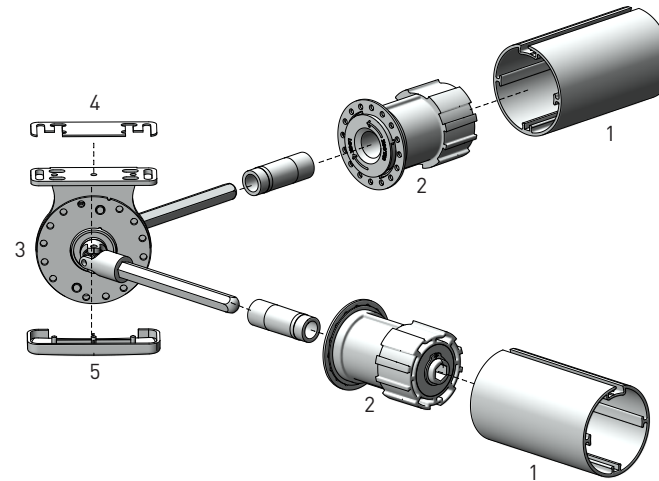
- Colour coded components.
- Optional screw plate cover providing a neat finish.

ASSEMBLY / INSTALLATION BENEFITS

- Height adjustable intermediate bracket.
- Distance adjustable to minimise gaps.

FUNCTIONAL BENEFITS

- Single operation for multiple angled blinds.
- Maximum achievable angle of 90 degrees.
- Intermediate bracket made from high grade stamped steel.



SYSTEM INDEX

1	Aluminium Tube S60
2	Uni-Link Intermediate Receiver RB56-3002-xxx060 - 60STD RB56-3002-xxx080 - 80HD
3	Uni-Link Intermediate Bracket - Adjustable RB56-7401-xxx060 - Top/Ceiling Fix - 60mm RB56-7401-xxx080 - Top/Ceiling Fix - 80mm RB56-7402-xxx060 - Face/Wall Fix - 60mm RB56-7402-xxx080 - Face/Wall Fix - 80mm
4	Mounting Shim Packer RB56-9105-xxx020
5	Screw Plate Cover RB56-0104-xxx060

xxx= colour ## = size

COLOUR RANGE



COMPATIBLE SYSTEMS

CHAIN CONTROL SYSTEM S60



MOTORISED SYSTEM S60



CRANK GEAR SYSTEM S60

