

AUTOMATE™ | VT 1.0 Tilt

Part #: MTDCRF-TILT-1

Description: DC Venetian Blind tilt motor with RF control.

FEATURES

- Electronic Limit
- Levelling Control
- Simple limit setting and adjustment
- Favorite position
- 3 operational speed settings available
- 2-way RF communication
- New ARC™ protocol for simple programming

TECHNOLOGIES



ELECTRONIC
LIMIT



LEVELING
CONTROL



FAVORITE
POSITION



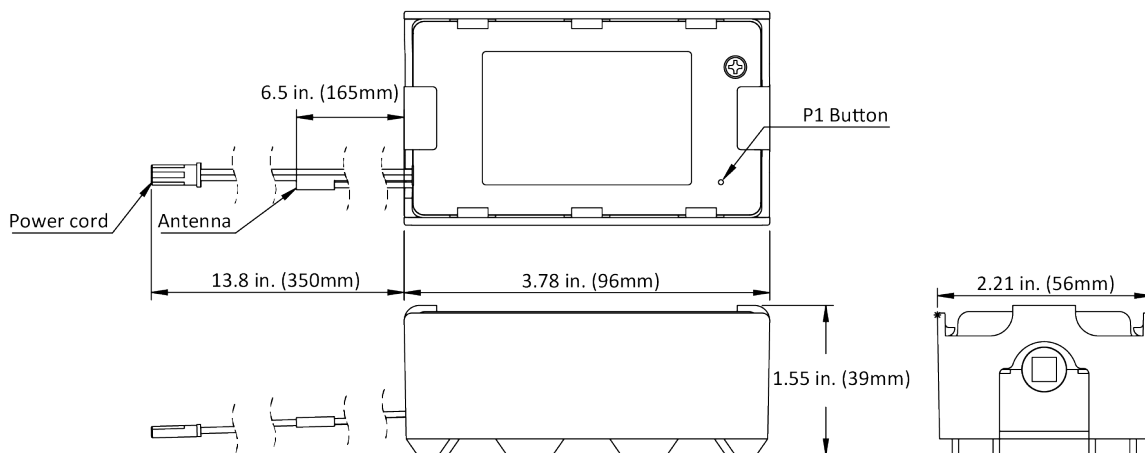
SELECTABLE
RPM



433 MHZ
BI-DIRECTIONAL



DIMENSIONS



SPECIFICATIONS

Voltage	12 V DC	IP Rating	IP20
Torque	1.0 Nm	Limit Switch Type	Electronic
Max Run Time	10 Min	Amps	0.67 A
Speed	12 RPM (Adjustable to 9 or 6)	Temp Working Range	32°F to 140°F (0°C to 60°C)
Radio Frequency	433.92 MHz	Insulation Class	III
RF Modulation	FSK	Sound Level	~50DB

Leading innovator of precision hardware and automated shade solutions.

USA | AUSTRALIA | EUROPE rolleasemed.com

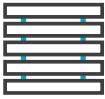
PORG_MTDCRF-TILT-1_V1.0 FEB 2017

© 2017 Rollease Acmeda Group



**ROLLEASE
ACMEDA**
PRECISION IN MOTION

APPLICATIONS



VENETIANS
BLINDS

COMPATIBLE SYSTEMS

- Low Profile Headrail (1.5" x 2.25")

ACCESSORIES

POWER SOLUTIONS

Descr: Power Supply for 28/35/45mm DCRF (No Batt) Mtr
Part #: MTDCPS-28-35-45

Descr: Battery Tube for 18/25mm DCRF (No Batt) Mtrs (inc Mt clips)
Part #: MTBWAND18-25

Descr: AA Battery Lithium 8 Pak
MT-BATT-AA-X8
Part#: MTBWAND18-25

Descr: Rchrgbl Btry Pak- 28mm DCRF (No Batt) Mtr 2600mAh
Part #: MTBPCKR-28

EXTENTION CABLES

Descr: DC Motor Cable extender 6"/155mm
Part #: MTDC-CBLXT6

Descr: DC Motor Cable extender 48"/1220mm
Part #: MTDC-CBLXT48

Descr: DC Motor Cable extender 96"/2440mm
Part #: MTDC-CBLXT96

REMOTES & SWITCHES

Descr: Paradigm 1CH ARC™ Remote
Part #: MTRF-REM-1

Descr: Paradigm 15CH ARC™ Remote
Part #: MTRF-REM-15

Descr: RF White 1 Channel Decorator Wall Switch (Cut In)
Part #: MTRF-WS-1C

Descr: RF White 2 Channel Decorator Wall Switch (Cut In)
Part #: MTRF-WS-2C

Descr: RF White 15 Channel Decorator Switch (Cut In)
Part #: MTRF-WS-15

Descr: RF White 5 Channel Decorator Surface Mount Switch
Part #: MTRF-WS5-FLUSH

AUTOMATION DEVICES

Descr: Sun Sensor
Part #: MTRF-SUNSENS

Descr: 1 Channel Dry Contact Input Module 433 RF
Part #: MTRF-DCIM-1C

Descr: ARC™ "Pulse" Wi-Fi to 433 2 way RF Bridge Kit
Part #: MTRF-WIFIBRIDGE-KIT

SHAFT ADAPTERS

Descr: Shaft Adapt for Tilt Mtr-5.6MM HEX
Part #: MTAD-TILT-SA-5HEX

