

AUTOMATE | Rechargeable Battery Pack

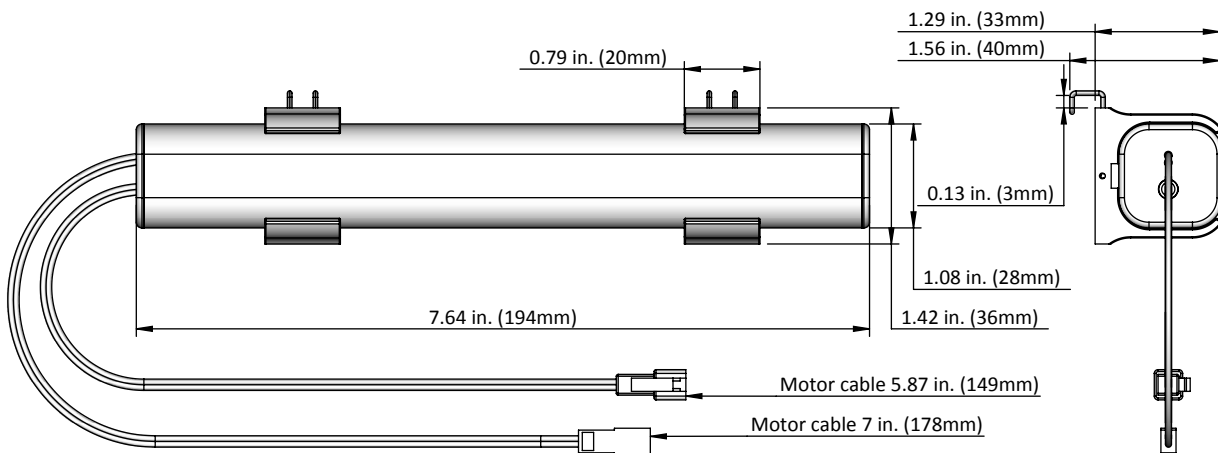
Part #: MTBPCKR-28

Description: Lithium Ion Rechargeable Battery Pack

FEATURES

- Used in place of external plug in Power supplies or Battery wands with disposable batteries
- Provides up to 500 up/down cycles on a single charge (depends on shade size)
- Compatible with Automate Cord Lift, Venetian Tilt, 18mm, 25mm & 28mm tubular DC motors
- Small profile allows for optimal placement in window pocket
- Battery pack fully recharges in ~ 6 hours
- Battery health status reported in Automate Pulse App
- Pairs with optional solar panel for autonomous re-charging

DIMENSIONS



SPECIFICATIONS

Input Volts	12.6V	Insulation Class	III
Output Volts	12.0V	Battery Size/Type	1-1/4" x 1-1/4" x 10" / Lithium-ion Rechargeable
Capacity	2600mAh	Temp Working Range	32F - 140F

USE WITH

MOTORS	Descr: AUTOMATE DC [18mm/0.2Nm/80r] ARC-MTR012V Part #:MTDCRF18-0.2	CHARGING CABLES	Descr: Solar Panel Y Harness Cable Part #:MTDCB-YCBL-SOL
	Descr: AUTOMATE DC [25mm/1.1Nm/40r] ARC-MTR012V Part #:MTDCRF25-1.1		Descr: DC Battery Motor Cable extender 6" / 155mm Part #:MTDCB-CBLXT6
	Descr: AUTOMATE DC [28mm/2.0Nm/28r] ARC-MTR012V Part #:MTDCRFQ28-2		Descr: DC Battery Motor Cable extender 48" / 1220mm Part #:MTDCB-CBLXT48
	Descr: AUTOMATE VT [xxmm/1.0Nm/xxr] ARC-MTR012V Part #:MTDCRF-TILT-1		Descr: DC Battery Motor Cable extender 96" / 2440mm Part #:MTDCB-CBLXT96
CHARGING DEVICES	Descr: Cord Lift DCRF Motor-0.6N-50r Part #:MTDCRF-CL-0.6-50	MOTOR CONNECTION CABLES	Descr: DC Motor Cable extender 6" / 155mm Part #:MTDC-CBLXT6
	Descr: Recharger for DC Battery Motors (18/25/28/35/45) Part #:MTDCB-CHARGE		Descr: DC Motor Cable extender 48" / 1220mm Part #:MTDC-CBLXT48
	Descr: Solar Panel for 18/25/28/35/45mm Battery Motors Part #:MTSOLPAN-B		Descr: DC Motor Cable extender 96" / 2440mm Part #:MTDC-CBLXT96