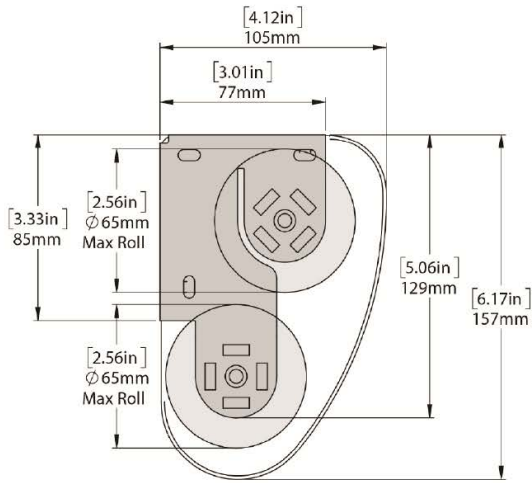
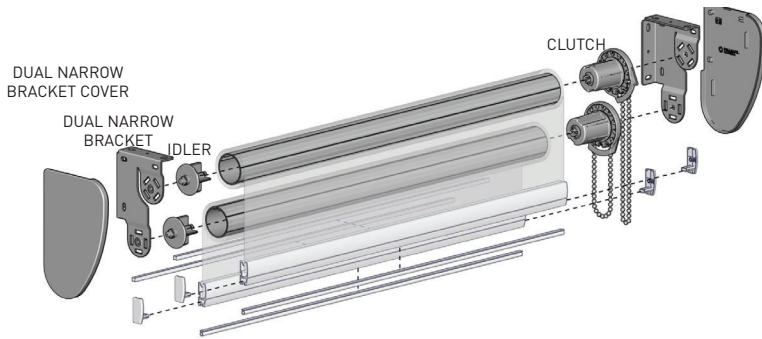




## FRONT & SIDE VIEW



## SCHEMATIC

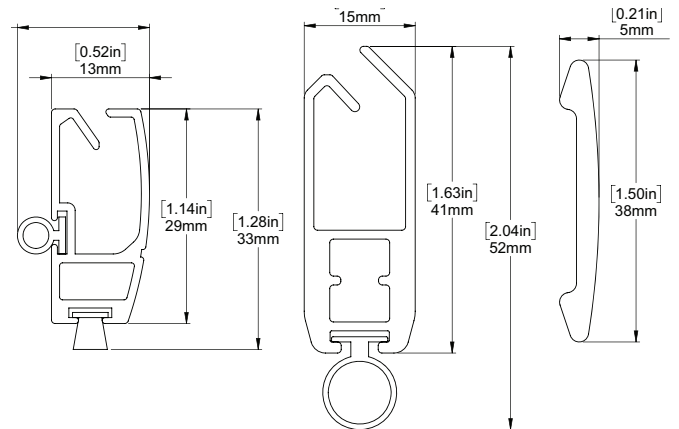


## BOTTOM RAIL OPTIONS

Sub heading

Sub heading

Sub heading



## SYSTEM UPGRADES

### 5" Pocket

[for hidden recess mounts]



### L & I Clips

[for hidden recess mounts]



### Edge Side Channels

[for improved light blackout]



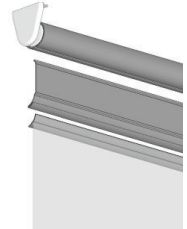
### Internal Wire Guide

[supporting complex shade systems]



### Fabric Switch System

[fast easy changing of fabric on a roller shade]



For more information about our Upgrade solutions, see our UPGRADE SPECIFICATION sheets.