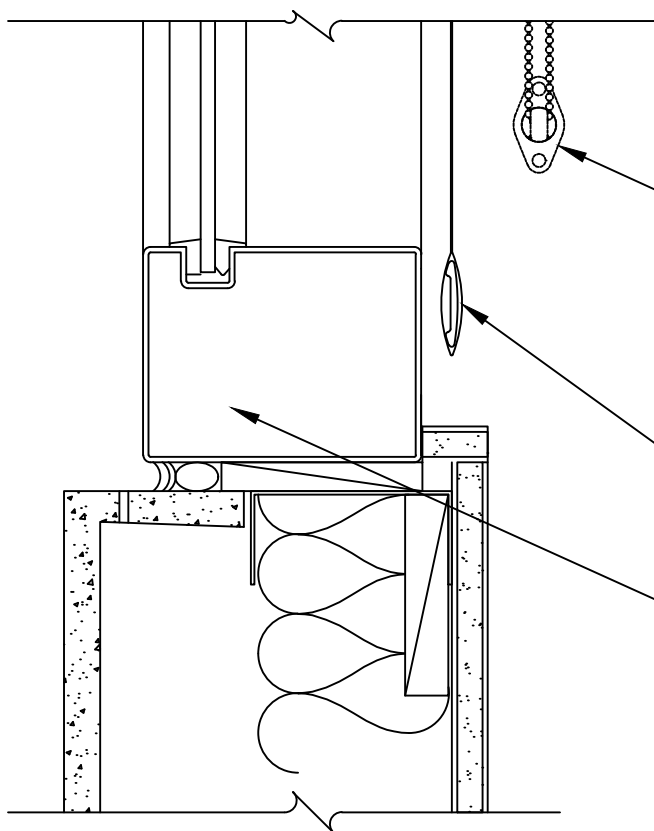


FINISHES, SUPPORTS, AND
BLOCKING BY OTHERS

FASTENERS THROUGH BRACKET HOLES TO
SOLID BLOCKING

ROLLEASE ACMEDA MAX. ROLL
DIAMETER 4.00"

SLB680Rxx BRACKET



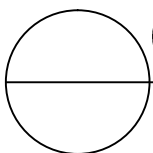
MANUAL SHADES: CHAIN AND CLUTCH
CONTROL

ROLLEASE ACMEDA SAFETY HOLD

ROLLEASE ACMEDA HEAT-WELDED
HEM POCKET AND SHADE FABRIC

WINDOW SYSTEM BY OTHERS

NOTE:
REFER TO QUICK REFERENCE GUIDE AND
SPECIFICATIONS FOR SELECTED PRODUCT LINE



CS1 LRG EXP ROLL SINGLE - CURTAIN WALL

SCALE: 3"=1'-0" MANUAL CONTROL

FACE MOUNT



**ROLLEASE
ACMEDA**

750 EAST MAIN STREET
STAMFORD, CT 06092
ROLLEASEACMEDA.COM

ISSUE / REVISION DATE: