

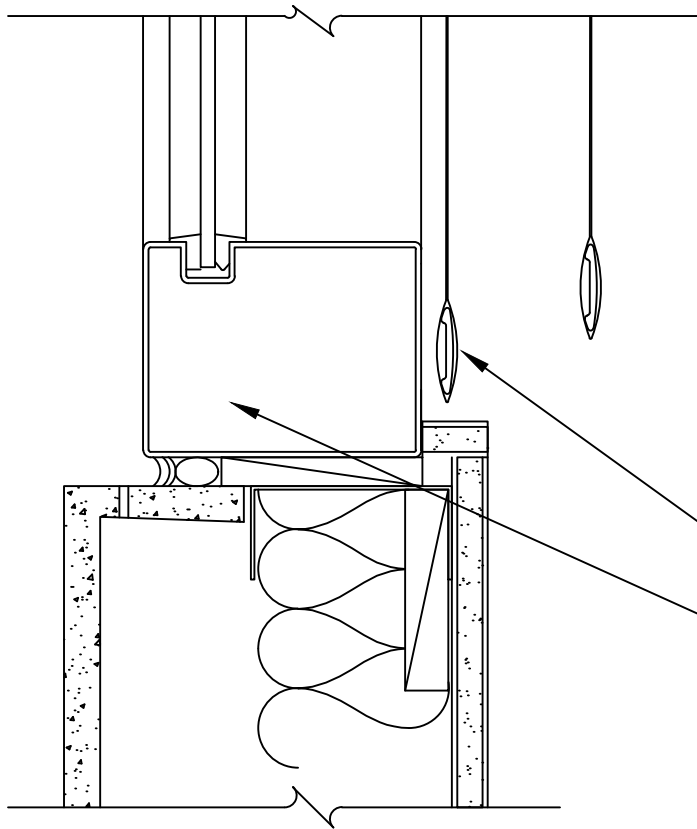
FINISHES, SUPPORTS, AND
BLOCKING BY OTHERS

FASTENERS THROUGH BRACKET HOLES TO
SOLID BLOCKING

ROLLEASE ACMEDA MAX. ROLL
DIAMETER 2.70"

WIRING THROUGH TO 120V POWER
SOURCE

SLDB48xx BRACKET

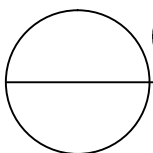


AUTOMATED SHADES: AC WIRED
MOTOR; CONTROLLER OPTIONS:
WALL SWITCH, HANDHELD, APP, OR
THIRD PARTY CONTROLLER

ROLLEASE ACMEDA HEAT-WELDED
HEM POCKET AND SHADE FABRIC

WINDOW SYSTEM BY OTHERS

NOTE:
REFER TO QUICK REFERENCE GUIDE AND
SPECIFICATIONS FOR SELECTED PRODUCT LINE



CS1 MED EXP ROLL DUAL - CURTAIN WALL

SCALE: 3"=1'-0" 120V AC MOTOR CONTROL

FACE MOUNT



**ROLLEASE
ACMEDA**

750 EAST MAIN STREET
STAMFORD, CT 06092
ROLLEASEACMEDA.COM

ISSUE / REVISION DATE: