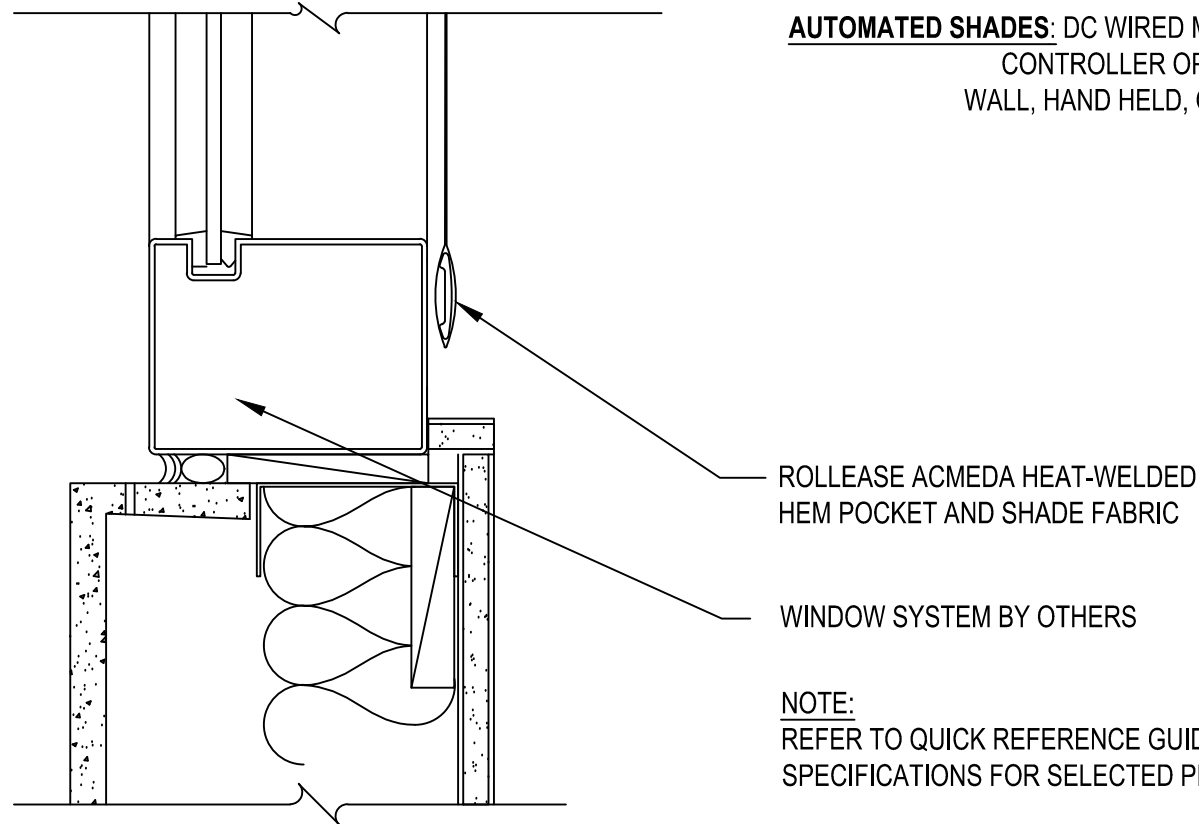
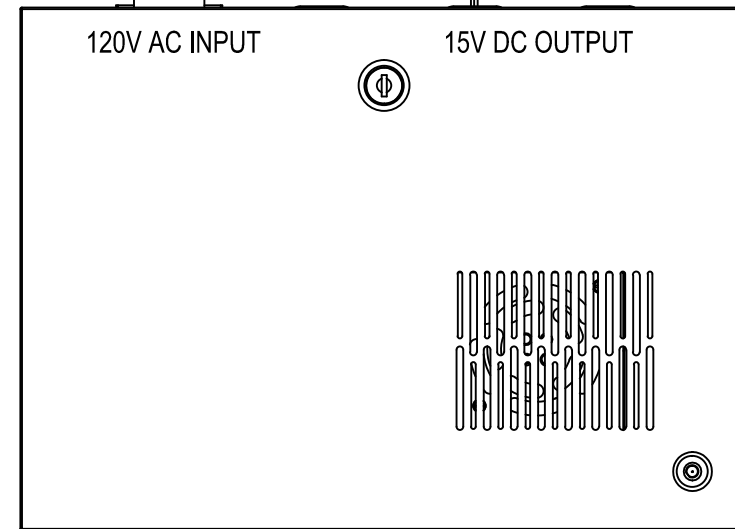
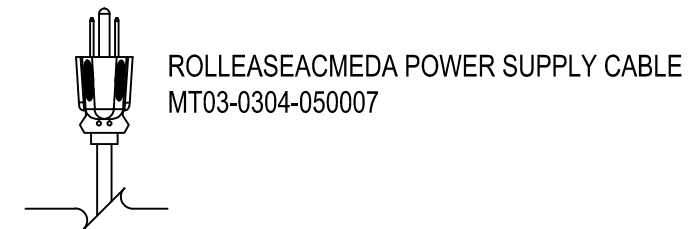


AUTOMATED SHADES: DC WIRED MOTOR;
 CONTROLLER OPTIONS:
 WALL, HAND HELD, OR APP



NOTE:
 REFER TO QUICK REFERENCE GUIDE AND SPECIFICATIONS FOR SELECTED PRODUCT LINE



ROLLESEACMEDA POWER SUPPLY MT03-0301-411005

CS1 MED 4" FASCIA - CURTAIN WALL
 SCALE: 3"=1'-0" LOW VOLTAGE MOTOR
FACE MOUNT



750 EAST MAIN ST.
 STAMFORD, CT 06092
 ROLLESEACMEDA.CONTRACT.COM

ISSUE / REVISION DATE: