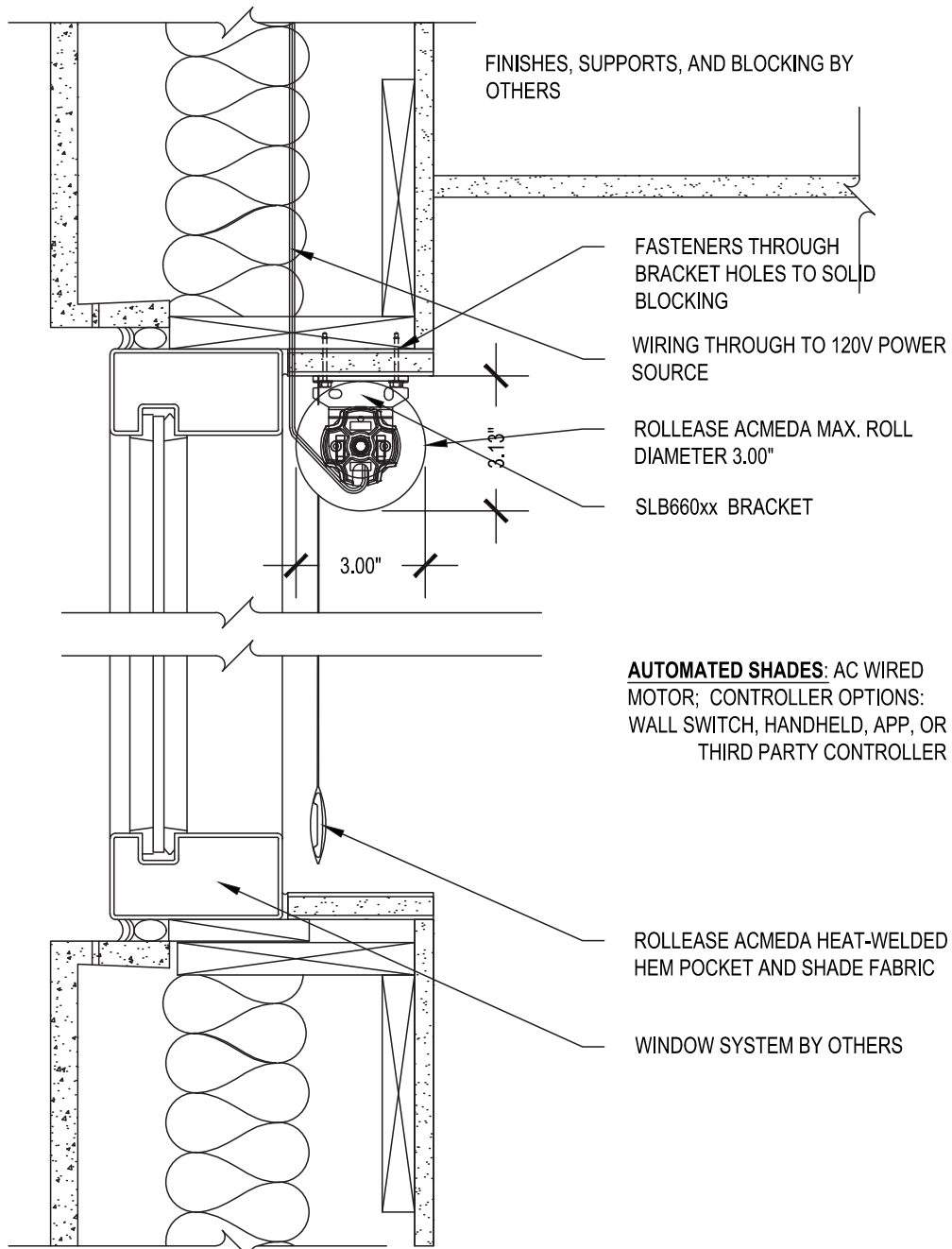


Medium Exposed Roll Single



SCALE: 3"=1'-0" 120V AC MOTOR CONTROL

Punch Window Header Mount

Issue Date: 08.01.2021

ROLLEASE ACMEDA
CONTRACT

