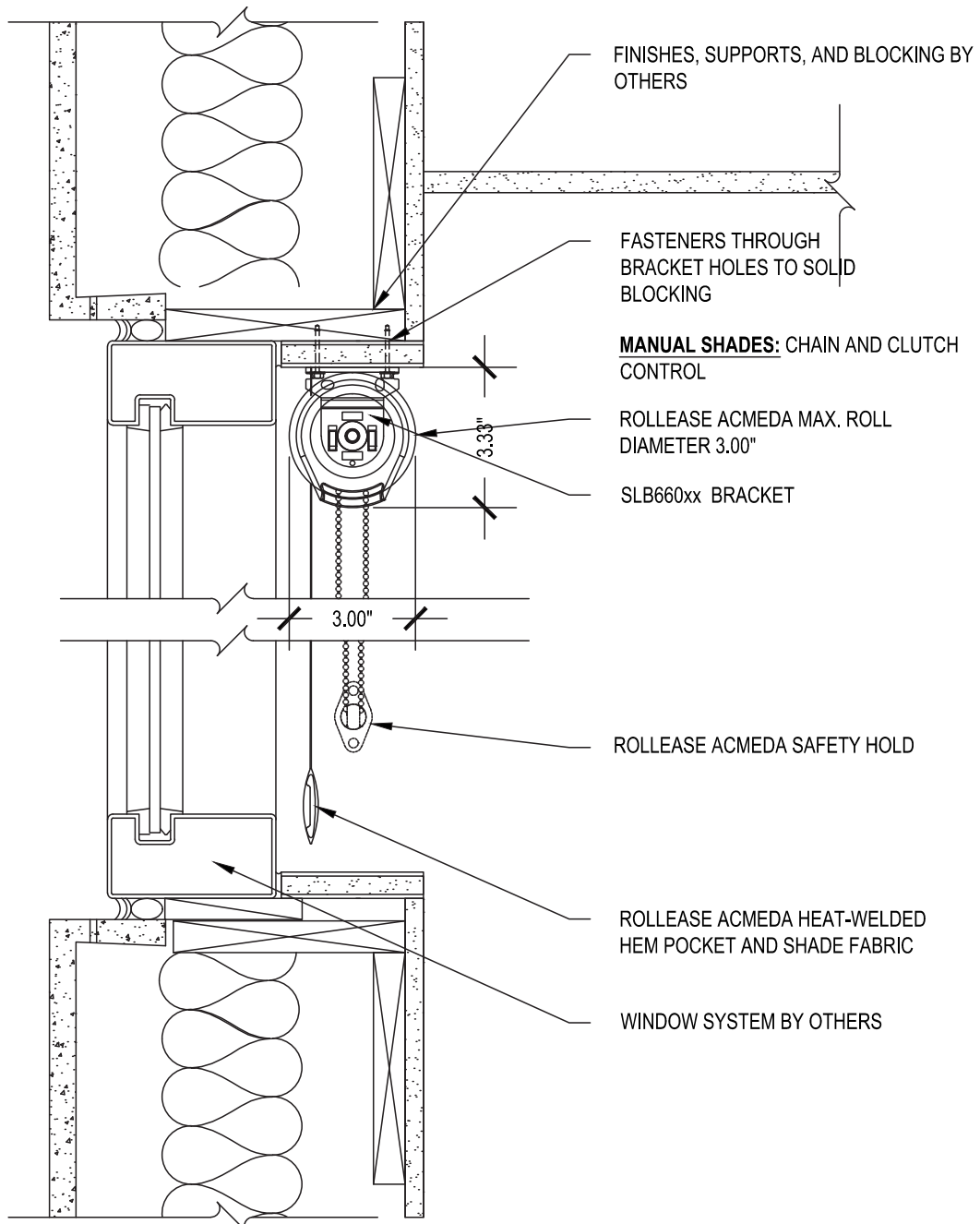


Medium Exposed Roll Single



SCALE: 3"=1'-0" MANUAL CONTROL

Punch Window Header Mount

Issue Date: 08.01.2021

ROLLESE ACMEDA
CONTRACT

