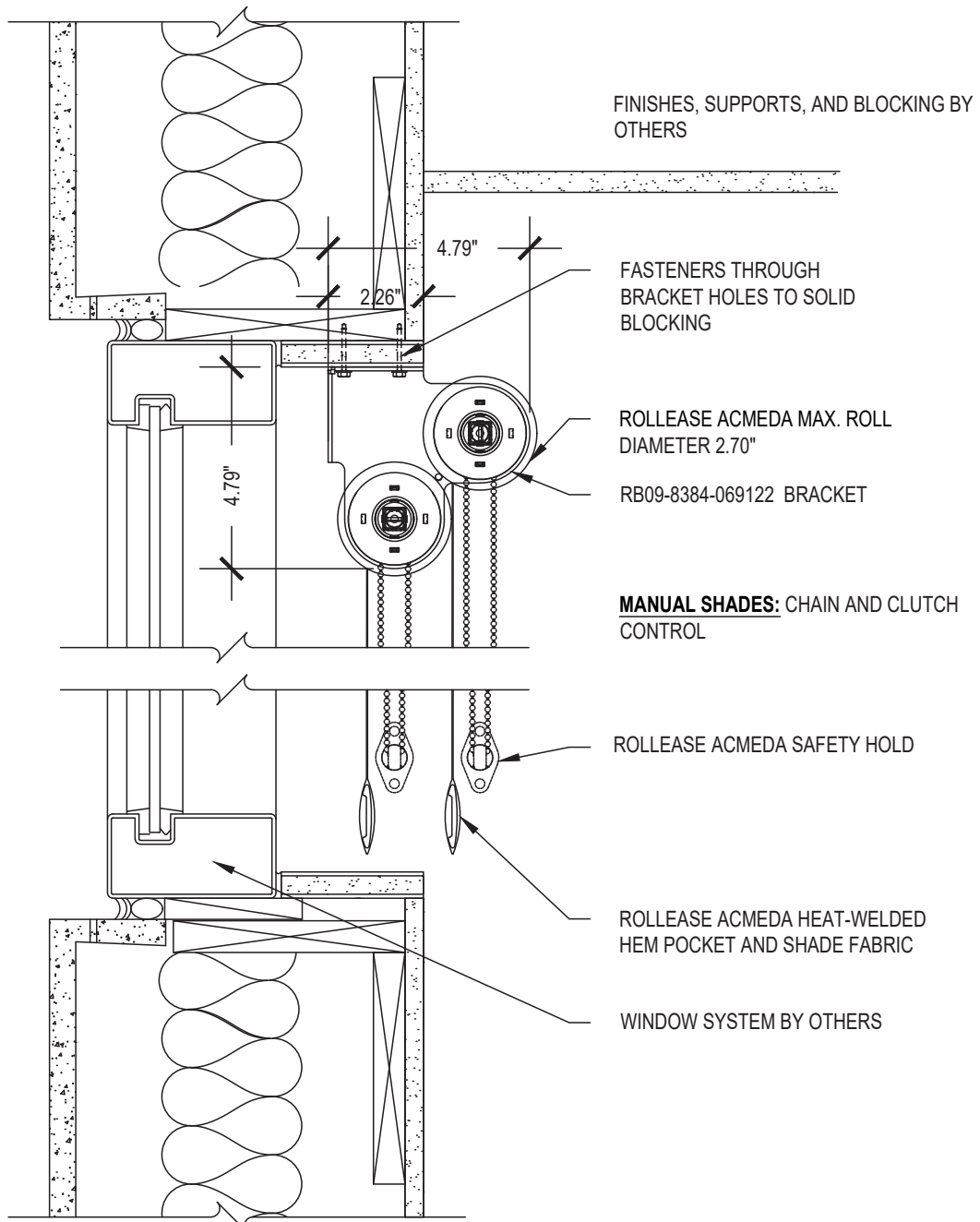


Medium Exposed Roll Dual



SCALE: 3"=1'-0" MANUAL CONTROL

Punch Window Header Mount

Issue Date: 08.01.2021

ROLLEASE ACMEDA
CONTRACT

