

Wired Control

Submittal Check Sheet

Motor-Operated Contract Series Roller Shades

Date: _____

Project Name: _____
 Project Location: _____
 Dealer/Installer: _____
 Architect: _____
 General Contractor: _____
 Fabric Style: _____
 Fabric Color/Number: _____
 Fabric Openness: _____

All fabric options and data sheets are available at textstyle.com

Select Hardware Color



Select Clutch Location (As viewed from room side of window)

- Right Hand Side (standard)
- Left Hand Side

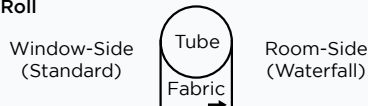
Select Motor Control (Multiples may be selected)

- Wired Wall Switch
- BMS

Select Switch Style (For use with 4-channel controller)

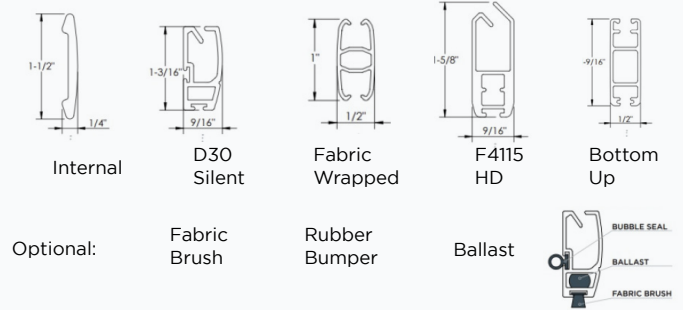


Select Fabric Orientation on the Roll



Regular (Standard) _____
 Waterfall (Standard) _____
 Dual Roll Orientation Specify:
 Light Filtering(LF) _____ Black out(BO) _____

Select Weightbar (Bottom Hem Bar)



Select Mounting Hardware System

- Open Roll
- Dual Open Roll
- 3" Fascia
- 4" Fascia
- 5" Fascia Single Roll
- 5" Fascia Double Roll
- Cassette 110
- 5" x 5" Recessed Headbox with bottom closure
- 6" x 6" Recessed Headbox with bottom closure
- 7" x 9" Recessed Headbox with bottom closure
- Tile Lip on Headbox (See page 4 for diagram)

(See page 3 & 4 for specific bracket sizes for each option)

Select Mounting Hardware System

- Wire Guide
- Headbox Bottom Closure
- Bracket Covers
- Side Channels for Blackout (Edge) white, gray, black
- Pocket "I" Wall Clip
- Pocket "L" Clip with Tile Lip
- Skylight Zipscreen
- Skylight Wireguide Bottom Up Shade
- Silent Pin System (Heavy Duty with Dual Bearings)
- Linked shade panels- as marked on plans



(Some options are not available with all hardware choices go to www.rolleaseacmedacontract.com for more details) To speak with someone, call 1-800-552-5100

Submittal Check Sheet Specifications

1. **Contract Series Control System:** Contract Series Motor operated fabric window and/or opening roller shade that includes the installation brackets and all respective components to operate a wireless-motor-controlled shade device to include any enclosure, fascia, cassette, pocket, decorative or non-decorative bracketing system as per the contract documents.
 2. **Mounting Brackets and Hardware:** Manufacturer's standard powder-coated or zinc-plated, cold-rolled steel universal brackets. Universal dual shade brackets available for two-shade applications. Linking brackets available for multiple shade band applications. Idle side brackets have bearings for extended life and ease of use.
 3. **Spring-loaded Idler Pin:** UV Stabilized, self-lubricating Nylon outside sleeve and center spring-loaded shaft. The idler bracket has bearings on which the roller tube rides ensuring smooth, wear-resistant operation and ease of installation.
 4. **Roller Tube:** Extruded Aluminum shade roller tube of uniform diameter and varying wall thickness required (for uniform aesthetic) to support shade fabric without excessive deflection, with engineered wall and ribs to lock the clutch and idle end-plug into place, providing strength and durability. Extruded tube parameters to be determined by Manufacturer for each shade's size, weight, and fabric requirement.
 5. **Fabric attachment to tube:** Provide for positive mechanical attachment to tube by either:
 - a. LSE (Low Stress Energy) double-sided adhesive tape to secure the fabric without having to remove the shade roller from the shade brackets. Adhesive attachment affords minor lateral adjustments to edge clearance dimensions. Fabric wrap of 2 to 3 times the circumference of the roller tube required for proper tension of fabric-to-tube. Or,
 - b. Switch Spline Attachment (for removal and cleaning of shade band (fabric panel)): Must allow for easy removal of shade band without removing roller tube, housing, or mechanical systems. System must allow top of shade band to drop below the shade tube, fascia bottom return, or pocket closure for easy removal of shade band. Switch spline style roller tube required.
 6. **Shade Cloth Fabric:** Inherently anti-static, flame-retardant, fade and stain resistant, light-filtering, room-darkening, or blackout fabrics as selected from Textile, a division of RolleaseAcmeda. Choose light-filtering or room-darkening fabrics from Manufacturer's available product offering.
- Full specs available here:
www.rolleaseacmedacontract.com/resources/

System Options



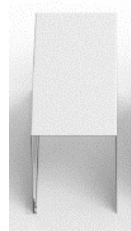
Side Channels



Switch Spline



Fascia



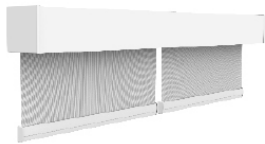
AP Ceiling Pockets



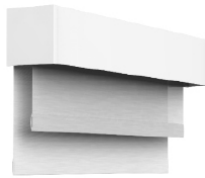
Wire Guide



Motorization



Link System

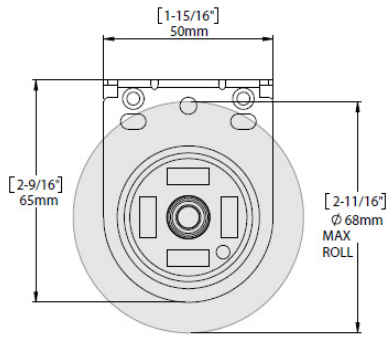


Dual Roll

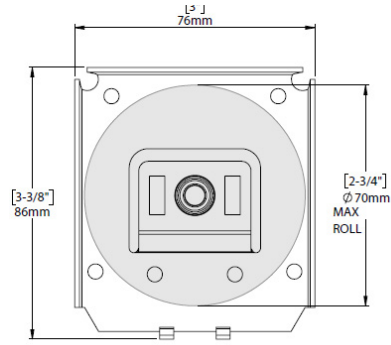


Cassette 110

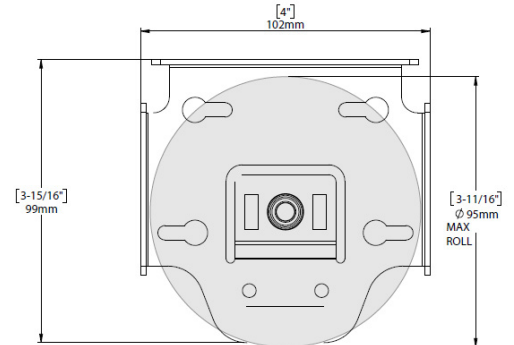
Submittal Check Sheet Hardware Dimensions



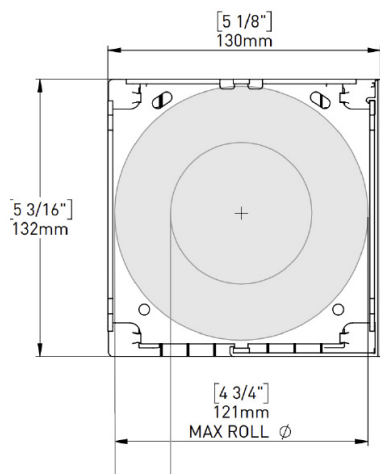
Open Roll LX Bearing Driven Bracket



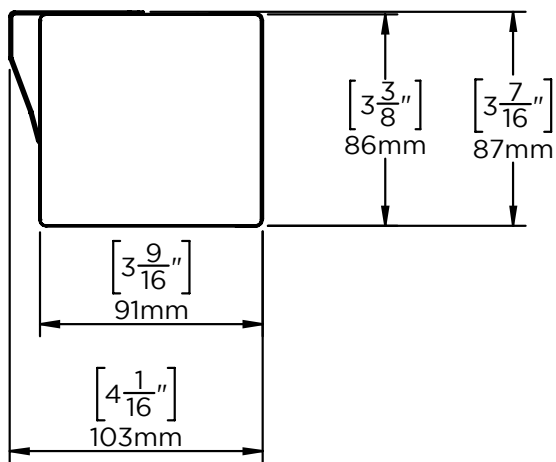
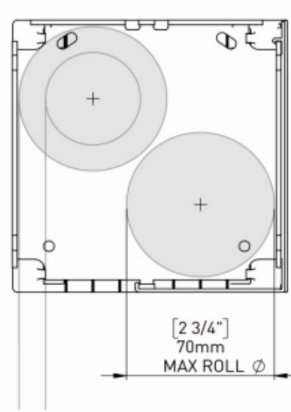
3" Fascia Bearing Driven Bracket



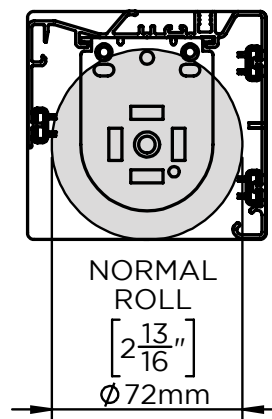
4" Fascia Bearing Driven Bracket



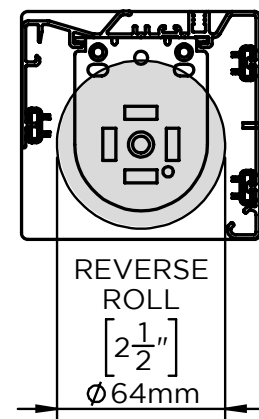
5" Fascia Bracket with Idler Bearings
Single or Dual Roll



Cassette 110



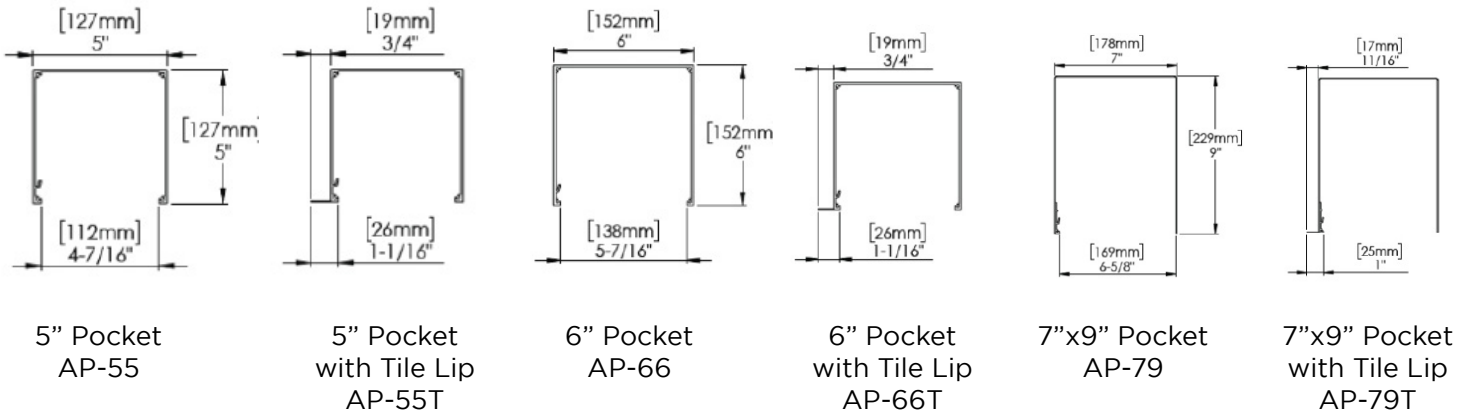
NORMAL ROLL
[2 13/16]
72mm



REVERSE ROLL
[2 1/2]
64mm

Diagrams for reference only
Not to Scale

Headbox Dimensions



5" Pocket
AP-55

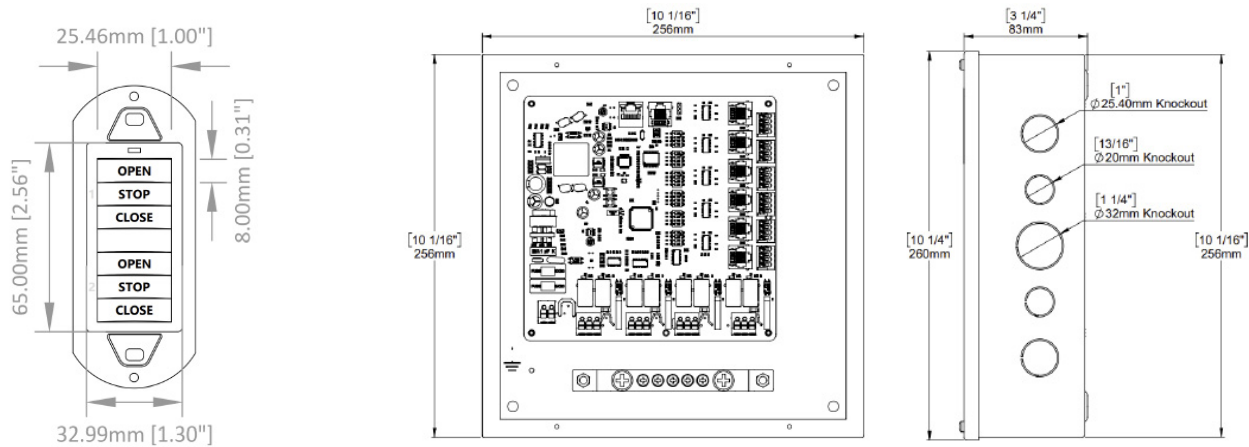
5" Pocket
with Tile Lip
AP-55T

6" Pocket
AP-66

6" Pocket
with Tile Lip
AP-66T

7"x9" Pocket
AP-79

7"x9" Pocket
with Tile Lip
AP-79T



Dry Contact Switch
Dimensions

4 Channel Controller
Dimensions